

*TECHNICAL DATA SHEETS*  
*and*  
*RECOMMENDATIONS*

**ABER**

Manufacturing Hydraulic Excellence since 1972

[www.ABER.pt](http://www.ABER.pt)

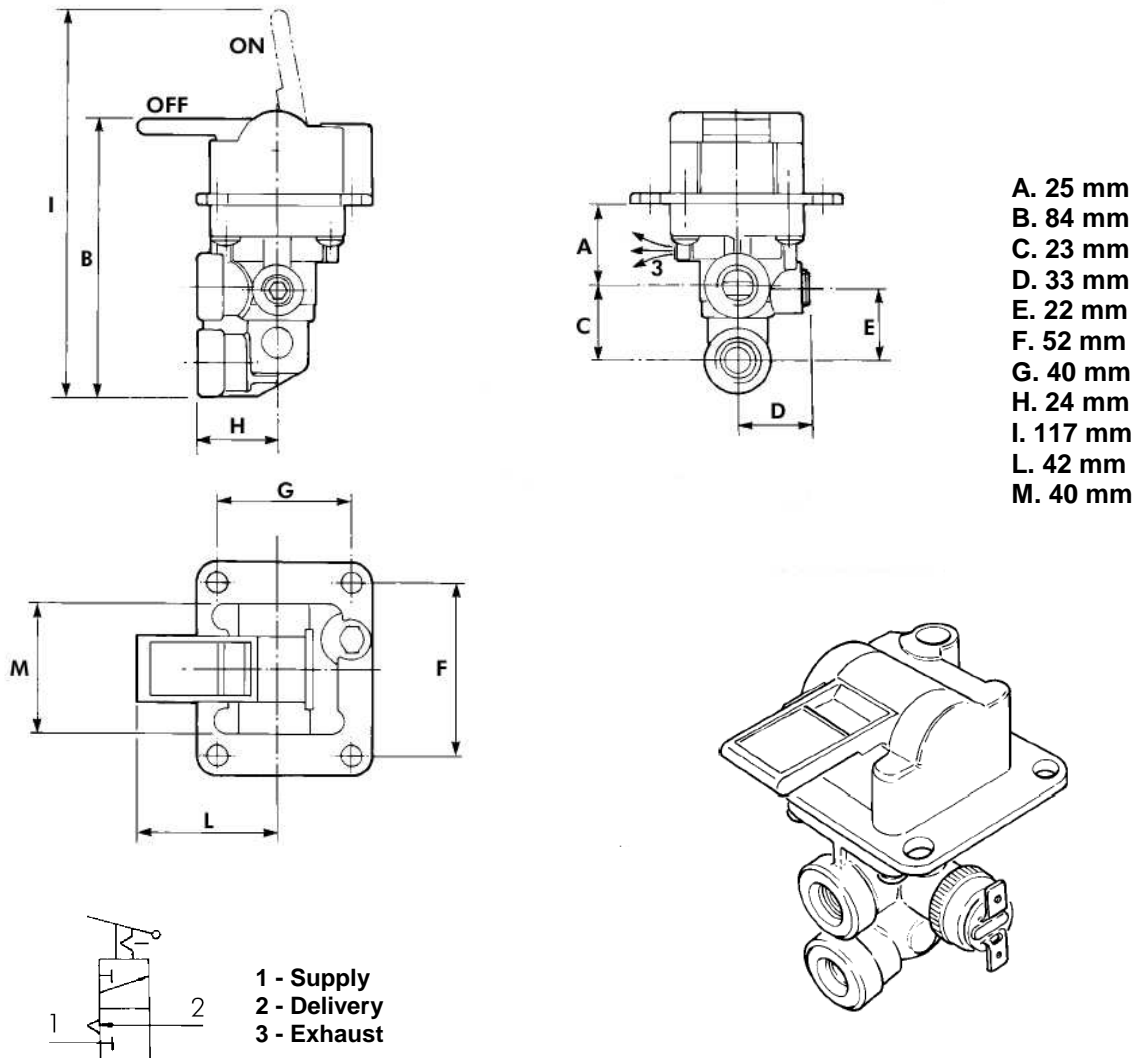


# One-way Valve

Ref. AOHCACC1

With Warning Light + Pressure Gauge

## Main Dimensions



## Main Data

Working medium	Air
Operating pressure (Bar)	up to 12
Working temperature	- 40°C / + 80 °C
Nominal diameter (mm)	3
Thread Ports	G1/8"
Weight (Kg)	0,150

CTI AOHCACC1 0901-1

ABER is constantly engaged in improving its products and, therefore, reserves itself the right to modify without any further notice the characteristics shown



**ABER - Embraiaçens e Comandos Hidráulicos - A. B. LDA**  
 Rua Francisco de Almeida, Nº 30 – Vila Nova da Telha – 4470 MAIA - Portugal  
 Telephone: +351.22.9438070 Fax: +351.22.9420823 e-mail: [aber@aber.pt](mailto:aber@aber.pt) <http://www.aber.pt>



<b>One-way Valve</b>	Ref. AOHCACMC1
Metallic	

### Main Dimensions

**A. 27 mm**  
**B. 57 mm**  
**C. 36 mm**  
**D. 26 mm**  
**E. 24 mm**  
**F. 26 mm**  
**G. Max 103 mm**  
**H. 43,5 mm**

1 - Supply  
 2 - Delivery  
 3 - Exhaust

(Dimensions in mm)

Main Data	
Working medium	Air
Operating pressure (Bar)	up to 12
Working temperature	- 40°C / + 80 °C
Nominal diameter (mm)	3
Thread Ports	G1/8"
Weight (Kg)	0,165

CTI AOHCACMC1 0901-2

ABER is constantly engaged in improving its products and, therefore, reserves itself the right to modify without any further notice the characteristics shown



**ABER - Embraiagens e Comandos Hidráulicos - A. B. LDA**  
 Rua Francisco de Almeida, Nº 30 – Vila Nova da Telha – 4470 MAIA - Portugal  
 Telephone: +351.22.9438070 Fax: +351.22.9420823 e-mail: [aber@aber.pt](mailto:aber@aber.pt) <http://www.aber.pt>

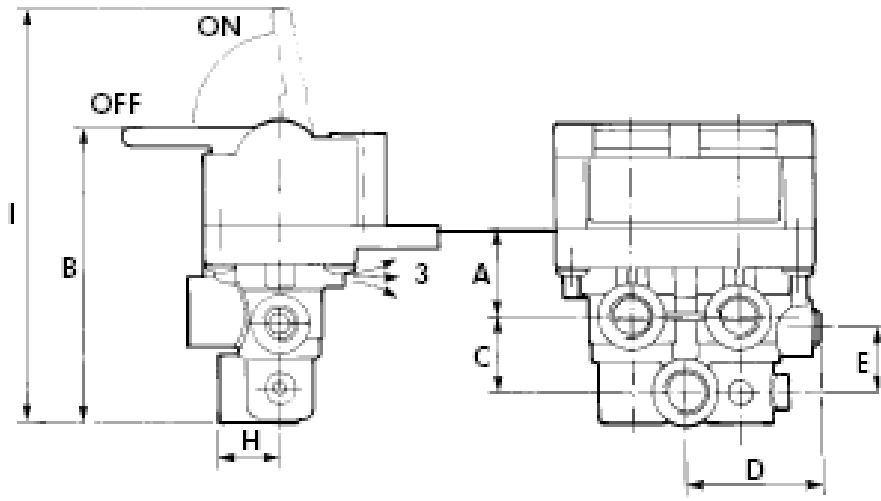


# Double one-way Valve

Ref. AOHACC2

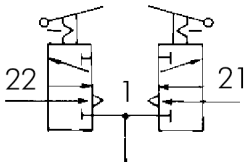
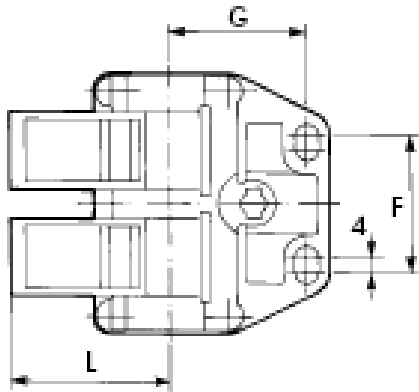
With Warning Light + Pressure Gauge

## Main Dimensions

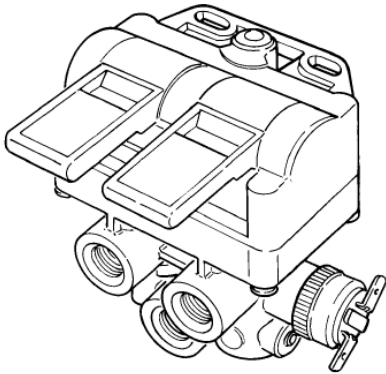


- A. 23 mm
- B. 78 mm
- C. 20 mm
- D. 33 mm
- E. 17 mm
- F. 80 mm
- G. 42 mm
- H. 16 mm
- I. 111 mm
- L. 42 mm

Threads depth 1 l.



- 1 - Supply
- 21 / 22 - Delivery
- 3 - Exhaust



(Dimensions in mm)

## Main Data

Working medium	Air
Operating pressure (Bar)	up to 12
Working temperature	- 40°C / + 80 °C
Nominal diameter (mm)	3
Thread Ports	G1/8"
Weight (Kg)	0,230

CTI AOHACC2 0901-2

ABER is constantly engaged in improving its products and, therefore, reserves itself the right to modify without any further notice the characteristics shown



**ABER - Embraigens e Comandos Hidráulicos - A. B. LDA**  
 Rua Francisco de Almeida, Nº 30 – Vila Nova da Telha – 4470 MAIA - Portugal  
 Telephone: +351.22.9438070 Fax: +351.22.9420823 e-mail: [aber@aber.pt](mailto:aber@aber.pt) <http://www.aber.pt>



<b>Double One-way Valve</b>	Ref. AOHCACMC2
Metallic	

### Main Dimensions

**A.** 27 mm  
**B.** 57 mm  
**C.** 37 mm  
**D.** 24 mm  
**E.** 26 mm  
**F.** 26 mm  
**G.** Max 103 mm  
**H.** 53 mm  
**L.** 28 mm

1 - Supply  
 2 - Delivery  
 3 - Exhaust

(Dimensions in mm)

Main Data	
Working medium	Air
Operating pressure (Bar)	up to 12
Working temperature	- 40°C / + 80 °C
Nominal diameter (mm)	3
Thread Ports	G1/8"
Weight (Kg)	0,290

CTI AOHCACMC2 0901-5

ABER is constantly engaged in improving its products and, therefore, reserves itself the right to modify without any further notice the characteristics shown



**ABER - Embraiaçens e Comandos Hidráulicos - A. B. LDA**  
 Rua Francisco de Almeida, Nº 30 – Vila Nova da Telha – 4470 MAIA - Portugal  
 Telephone: +351.22.9438070 Fax: +351.22.9420823 e-mail: [aber@aber.pt](mailto:aber@aber.pt) <http://www.aber.pt>

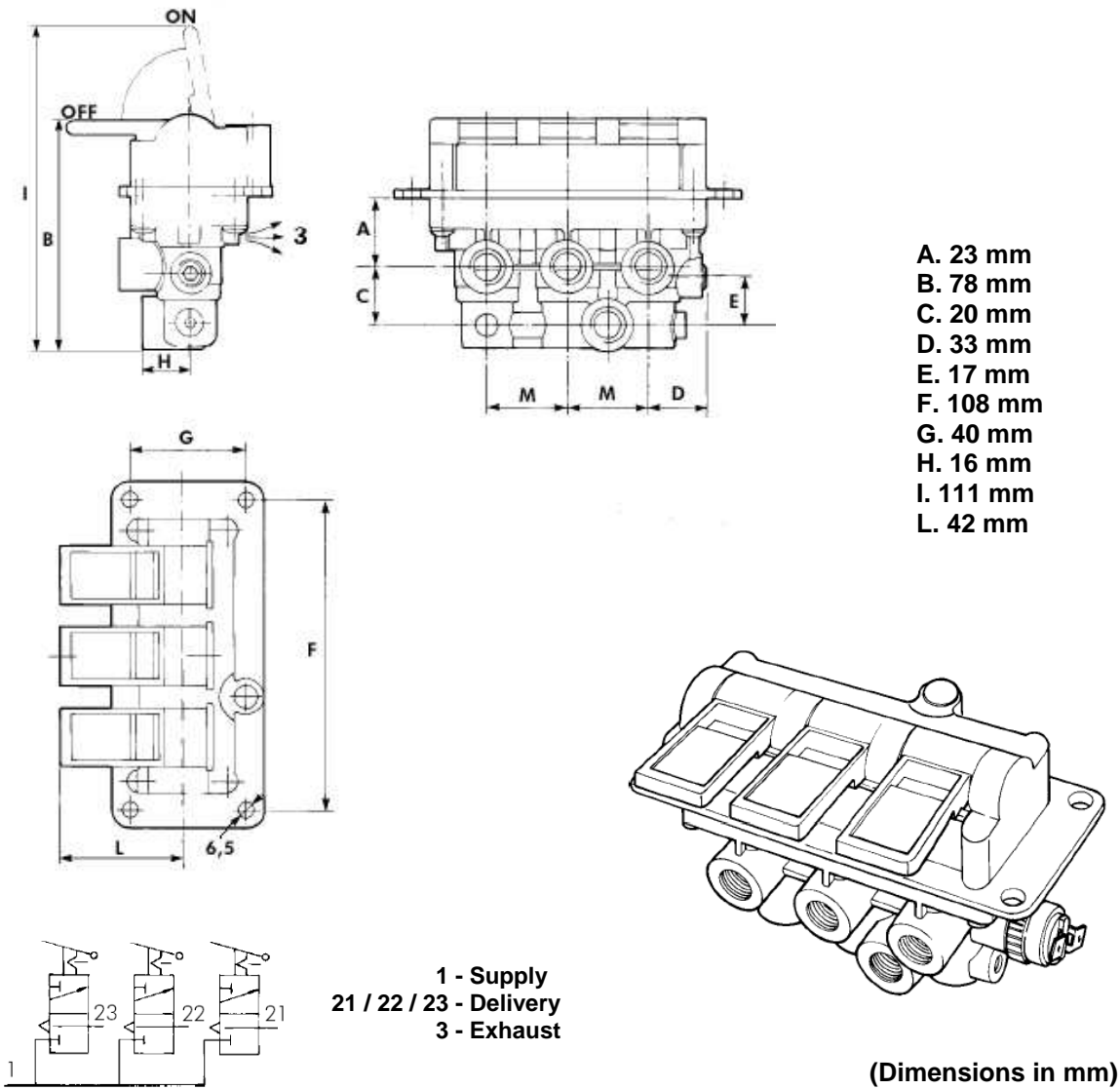


# Triple one-way Valve

Ref. AOHCACC3

With Warning Light + Pressure Gauge

## Main Dimensions



Main Data	
Working medium	Air
Operating pressure (Bar)	up to 12
Working temperature	- 40°C / + 80 °C
Nominal diameter (mm)	3
Thread Ports	G1/8"
Weight (Kg)	0,310

CTI AOHCACC3 0901-2

ABER is constantly engaged in improving its products and, therefore, reserves itself the right to modify without any further notice the characteristics shown

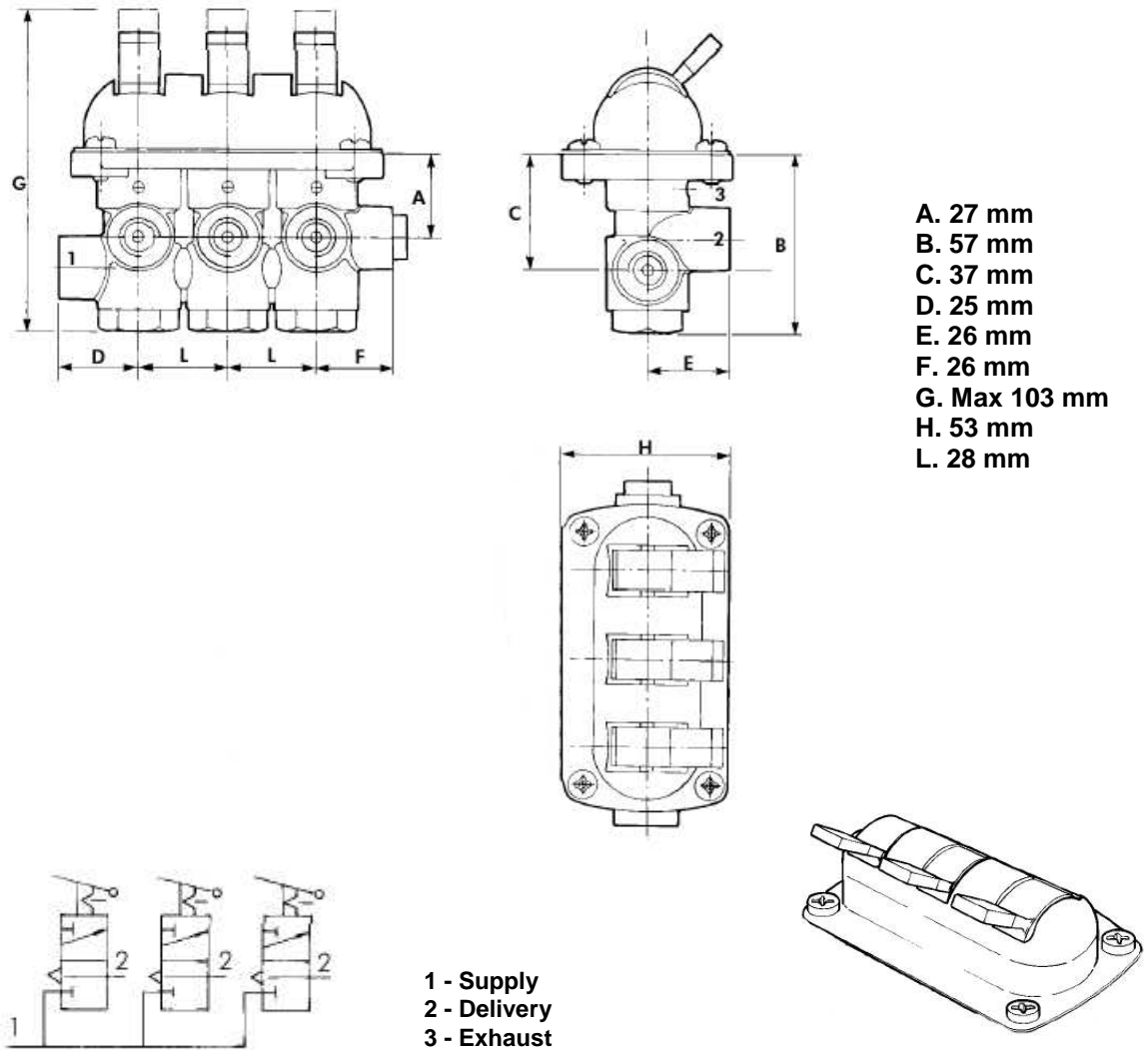


**ABER - Embraiaçens e Comandos Hidráulicos - A. B. LDA**  
 Rua Francisco de Almeida, Nº 30 – Vila Nova da Telha – 4470 MAIA - Portugal  
 Telephone: +351.22.9438070 Fax: +351.22.9420823 e-mail: [aber@aber.pt](mailto:aber@aber.pt) <http://www.aber.pt>



<b>Triple One-way Valve</b>	Ref. AOHCACMC3
Metallic	

### Main Dimensions



(Dimensions in mm)

Main Data	
Working medium	Air
Operating pressure (Bar)	up to 12
Working temperature	- 40°C / + 80 °C
Nominal diameter (mm)	3
Thread Ports	G1/8"
Weight (Kg)	0,400

CTI AOHCACMC3 0901-2

ABER is constantly engaged in improving its products and, therefore, reserves itself the right to modify without any further notice the characteristics shown



**ABER - Embragens e Comandos Hidráulicos - A. B. LDA**  
 Rua Francisco de Almeida, Nº 30 – Vila Nova da Telha – 4470 MAIA - Portugal  
 Telephone: +351.22.9438070 Fax: +351.22.9420823 e-mail: [aber@aber.pt](mailto:aber@aber.pt) <http://www.aber.pt>



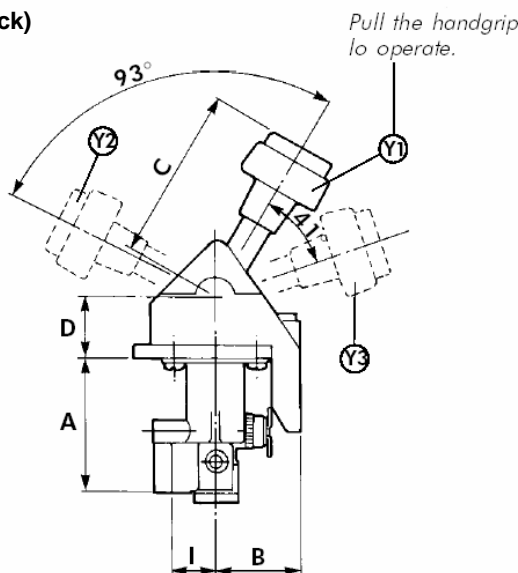
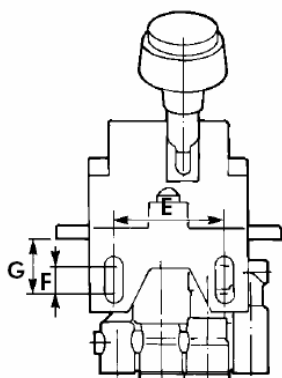
## 2 Way Distributor Valve

Ref. AOHCD4C2  
AOHCD5C2  
AOHCD6C2

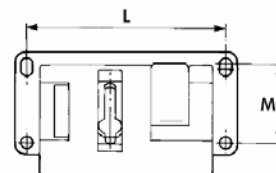
With Warning Light + Pressure Gauge

### Main Dimensions

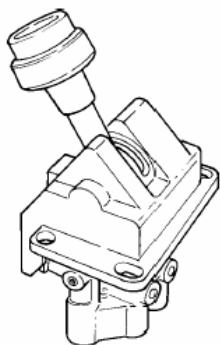
Y1 - Reset position (with Lock)  
Y2 - Operation port 21  
Y3 - Operation port 22



A. 58 mm  
B. 37 mm  
C. 76 mm  
D. 27 mm  
E. 48 mm  
F. 12 mm  
G. 24 mm  
H. 20 mm  
I. 19 mm  
L. 84 mm  
M. 46 mm  
N. 28 mm  
O. 41 mm



Detail assembling flange.



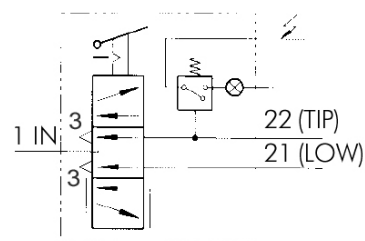
**PRESSURE GAUGE TECHNICAL DATA**  
Operating voltage = 24V cc  
Contacts = NO (normally open)  
Closed pressure contacts = 3 – 4 Bar

1- SUPPLY  
21- CONTROL LOWERING  
22- CONTROL TIPPING  
3- EXHAUST

**AOHCD4C2** – Standard Model

**AOHCD5C2** – with automatic return lever in reset position (Port. 21-LOW and port 22-TIP)

**AOHCD6C2** – with automatic return lever in reset position (Port 22-TIP)



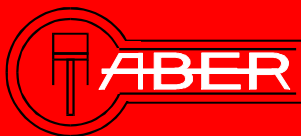
### Main Data

<b>Working medium</b>	<b>Air</b>
<b>Operating pressure (Bar)</b>	<b>up to 12</b>
<b>Working temperature</b>	<b>-40 °C / + 80 °C</b>
<b>Nominal diameter (mm)</b>	<b>4</b>
<b>Thread Ports</b>	<b>G1/8"</b>
<b>Weight (Kg)</b>	<b>0,455</b>



ABER - Embragens e Comandos Hidráulicos - A. B. LDA  
Rua Francisco de Almeida, Nº 30 – Vila Nova da Telha – 4470 MAIA - Portugal  
Telefone: +351.22.9438070 Fax: +351.22.9420823 e-mail: [aber@aber.pt](mailto:aber@aber.pt) <http://www.aber.pt>





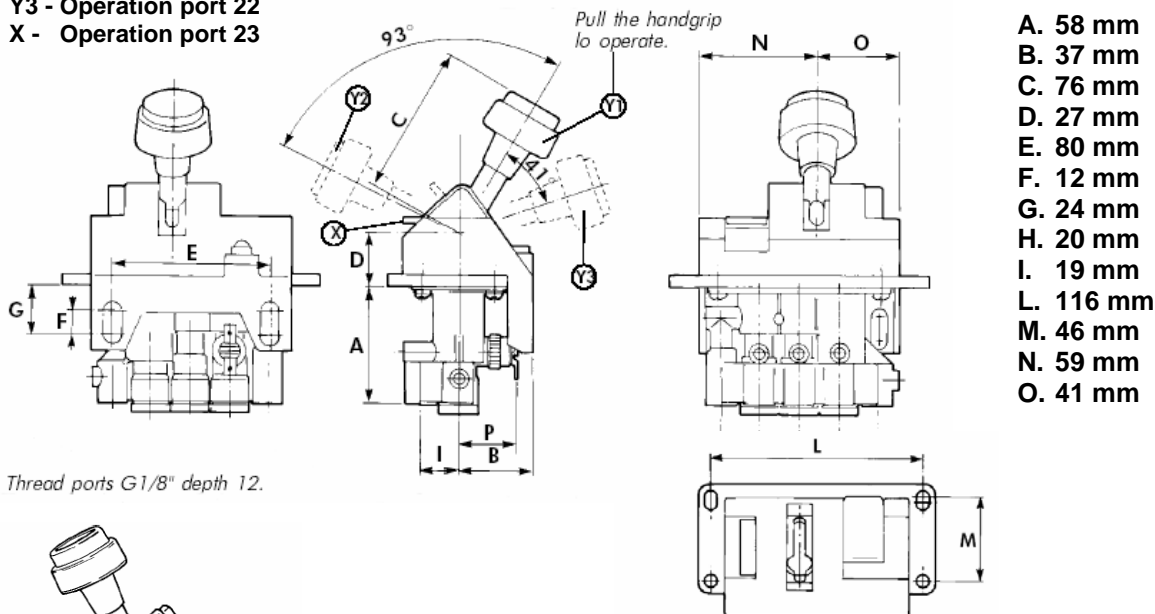
## 3 Way Distributor Valve

Ref. AOHCD7C3  
AOHCD8C3  
AOHCD9C3

With Warning Light + Pressure Gauge

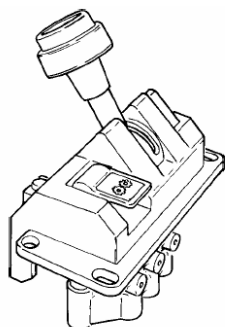
### Main Dimensions

- Y1 - Reset position (with Lock)
- Y2 - Operation port 21
- Y3 - Operation port 22
- X - Operation port 23



- A. 58 mm
- B. 37 mm
- C. 76 mm
- D. 27 mm
- E. 80 mm
- F. 12 mm
- G. 24 mm
- H. 20 mm
- I. 19 mm
- L. 116 mm
- M. 46 mm
- N. 59 mm
- O. 41 mm

Thread ports G1/8" depth 12.



Detail assembling flange.

#### PRESSURE GAUGE TECHNICAL DATA

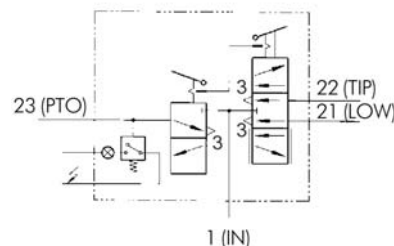
Operating voltage = 24V cc  
Contacts = NO (normally open)  
Closed pressure contacts = 3 - 4 Bar

- 1- SUPPLY
- 21- CONTROL LOWERING
- 22- CONTROL TIPPING
- 23- ENGAGEMENT PTO'S
- 3- EXHAUST

**AOHCD7C3** – Standard Model

**AOHCD8C3** – with automatic return lever in reset position,  
(Port. 21-LOW and port 22-TIP)

**AOHCD9C3** – with automatic return lever in reset position,  
(Port 22-TIP)



### Main Data

<b>Working medium</b>	<b>Air</b>
<b>Operating pressure (Bar)</b>	<b>up to 12</b>
<b>Working temperature</b>	<b>-40 °C / + 80 °C</b>
<b>Nominal diameter (mm)</b>	<b>4</b>
<b>Thread Ports</b>	<b>G1/8"</b>
<b>Weight (Kg)</b>	<b>0,575</b>



ABER - Embragens e Comandos Hidráulicos - A. B. LDA  
Rua Francisco de Almeida, Nº 30 – Vila Nova da Telha – 4470 MAIA - Portugal  
Telefone: +351.22.9438070 Fax: +351.22.9420823 e-mail: [aber@aber.pt](mailto:aber@aber.pt) <http://www.aber.pt>

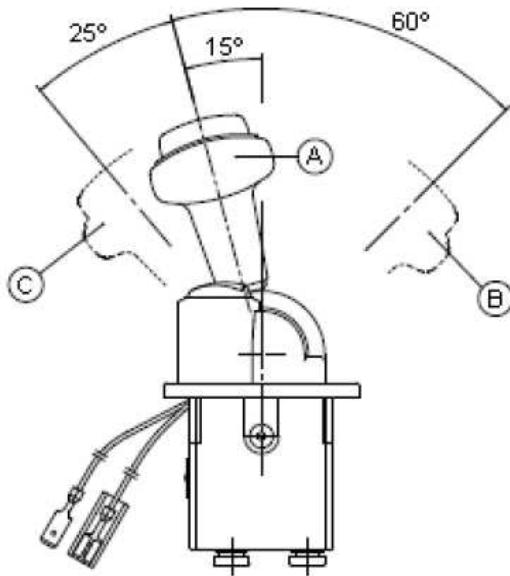


## 2 Way Distributor Valve

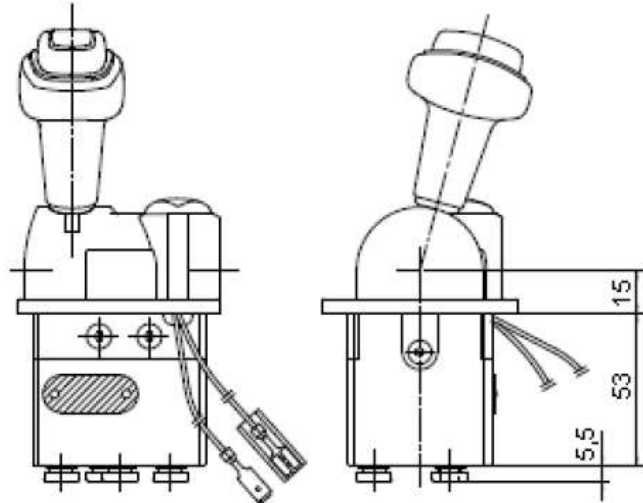
Ref. ABCD42  
ABCD52  
ABCD62

With Warning Light + Pressure Gauge

### Main Dimensions

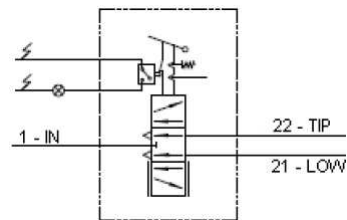
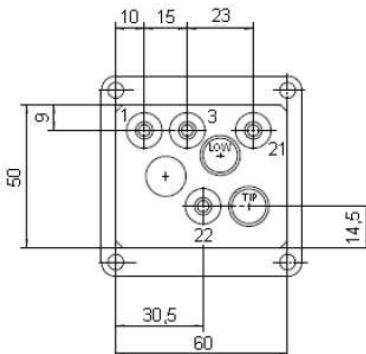
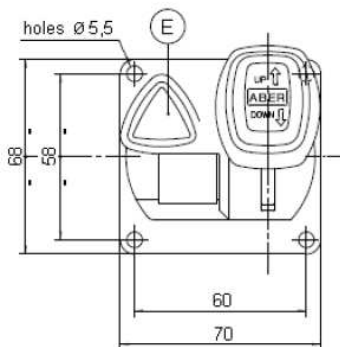


- A - Reset position (with Lock)
- B - Operation port 21
- C - Operation port 22
- E - Lamp for PTO insert indication



### PRESSURE GAUGE TECHNICAL DATA

Operating voltage = 24V cc  
Contacts = NO (normally open)



- 1- SUPPLY
- 21- CONTROL LOWERING
- 22- CONTROL TIPPING
- 3- EXHAUST

- ABCD42** – Fix up and down
- ABCD52** – with automatic return up and down
- ABCD62** – with automatic return up and fix down

(Dimensions in mm)

### Main Data

Working medium	Air	
Operating pressure (Bar)	up to 12	
Working temperature	Distributor valve	- 40 °C / + 80 °C
	Automatic fittings	- 20 °C / + 80 °C
Nominal diameter (mm)	4	
Weight (Kg)	0,6	

ABER is constantly engaged in improving its products and, therefore, reserves itself the right to modify without any further notice the characteristics shown



ABER - Embraiaçens e Comandos Hidráulicos - A. B. LDA  
Rua Francisco de Almeida, Nº 30 – Vila Nova da Telha – 4470 MAIA - Portugal  
Telephone: +351.22.9438070 Fax: +351.22.9420823 e-mail: [aber@aber.pt](mailto:aber@aber.pt) <http://www.aber.pt>

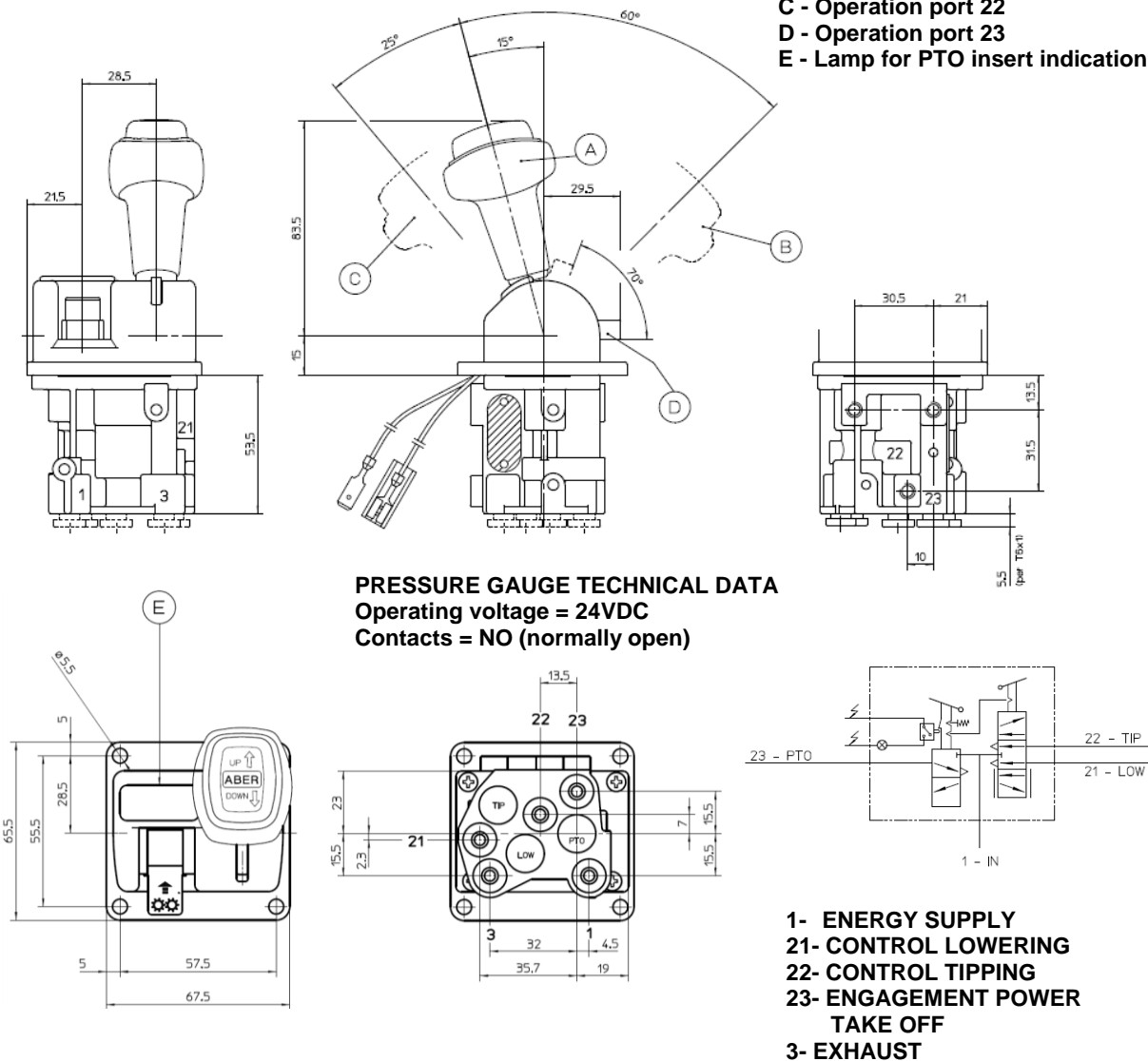


# 3 Way Distributor Valve

Ref. ABCD73  
ABCD83  
ABCD93

With Warning Light + Pressure Gauge

## Main Dimensions



**ABCD73** – Fix up and down  
**ABCD83** – with automatic return up and down  
**ABCD93** – with automatic return up and fix down

(Dimensions in mm)

## Main Data

<b>Working medium</b>		<b>Air</b>
<b>Operating pressure (Bar)</b>		<b>up to 12</b>
<b>Working temperature</b>	<b>Distributor valve</b>	<b>- 40 °C / + 80 °C</b>
	<b>Automatic fittings</b>	<b>- 20 °C / + 80 °C</b>
<b>Nominal diameter (mm)</b>		<b>4</b>
<b>Weight (Kg)</b>		<b>0,4</b>

ABER is constantly engaged in improving its products and, therefore, reserves itself the right to modify without any further notice the characteristics shown



**ABER - Embraiaçens e Comandos Hidráulicos - A. B. LDA**  
 Rua Francisco de Almeida, Nº 30 – Vila Nova da Telha – 4470 MAIA - Portugal  
 Telephone: +351.22.9438070 Fax: +351.22.9420823 e-mail: [aber@aber.pt](mailto:aber@aber.pt) <http://www.aber.pt>



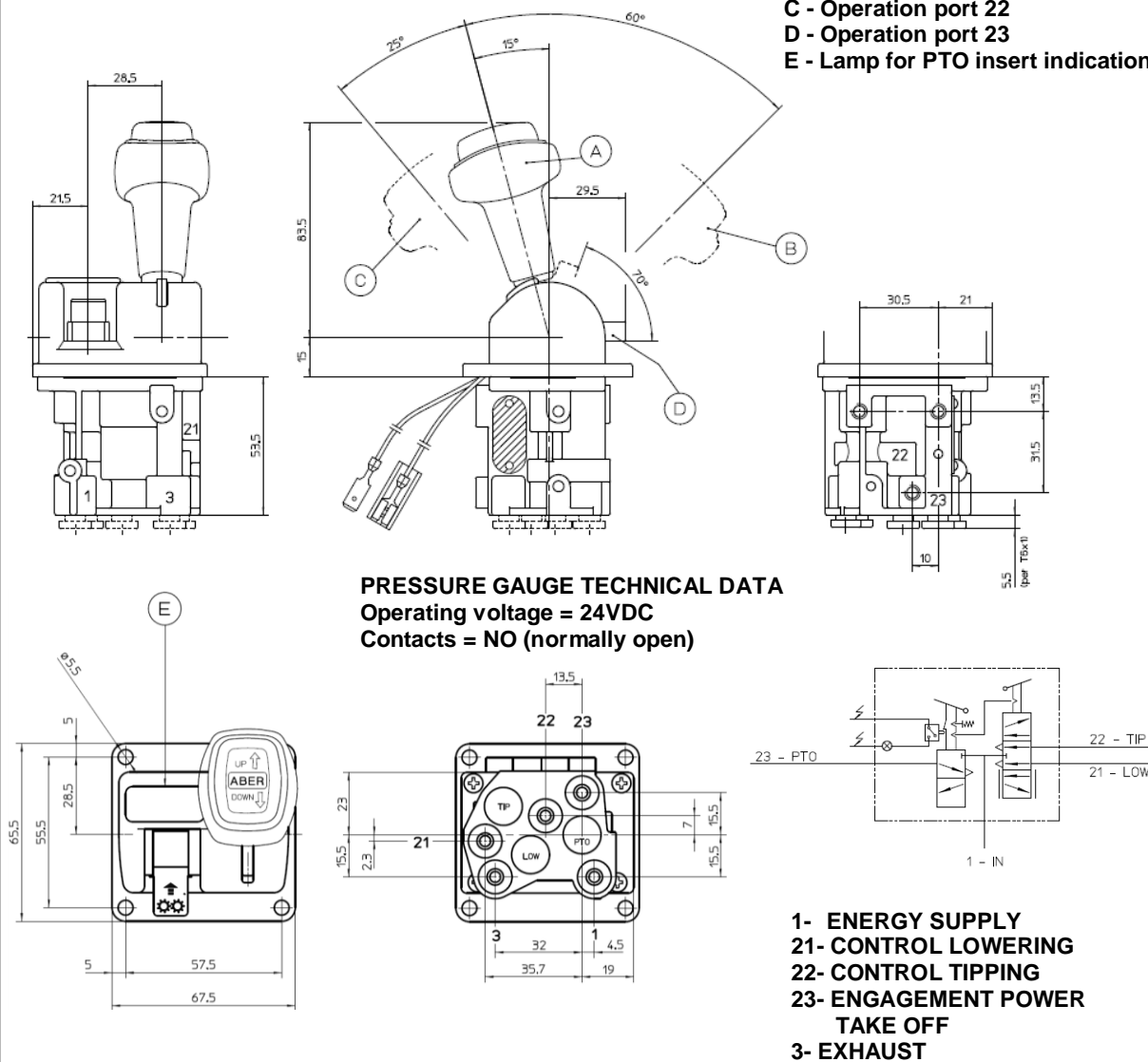
# 3 Way Distributor Valve

Ref. ABCD73IL

With Warning Light + Pressure Gauge; without automatic switching off PTO

## Main Dimensions

- A - Reset position (with Lock)
- B - Operation port 21
- C - Operation port 22
- D - Operation port 23
- E - Lamp for PTO insert indication



**ABCD73IL – Fix up and down (without automatic switching off PTO) (Dimensions in mm)**

## Main Data

<b>Working medium</b>	Air	
<b>Operating pressure (Bar)</b>	up to 12	
<b>Working temperature</b>	<b>Distributor valve</b>	- 40 °C / + 80 °C
	<b>Automatic fittings</b>	- 20 °C / + 80 °C
<b>Nominal diameter (mm)</b>	4	
<b>Weight (Kg)</b>	0,4	

ABER is constantly engaged in improving its products and, therefore, reserves itself the right to modify without any further notice the characteristics shown



**ABER - Embraigens e Comandos Hidráulicos - A. B. LDA**  
 Rua Francisco de Almeida, N° 30 – Vila Nova da Telha – 4470 MAIA - Portugal  
 Telephone: +351.22.9438070 Fax: +351.22.9420823 e-mail: [aber@aber.pt](mailto:aber@aber.pt) <http://www.aber.pt>

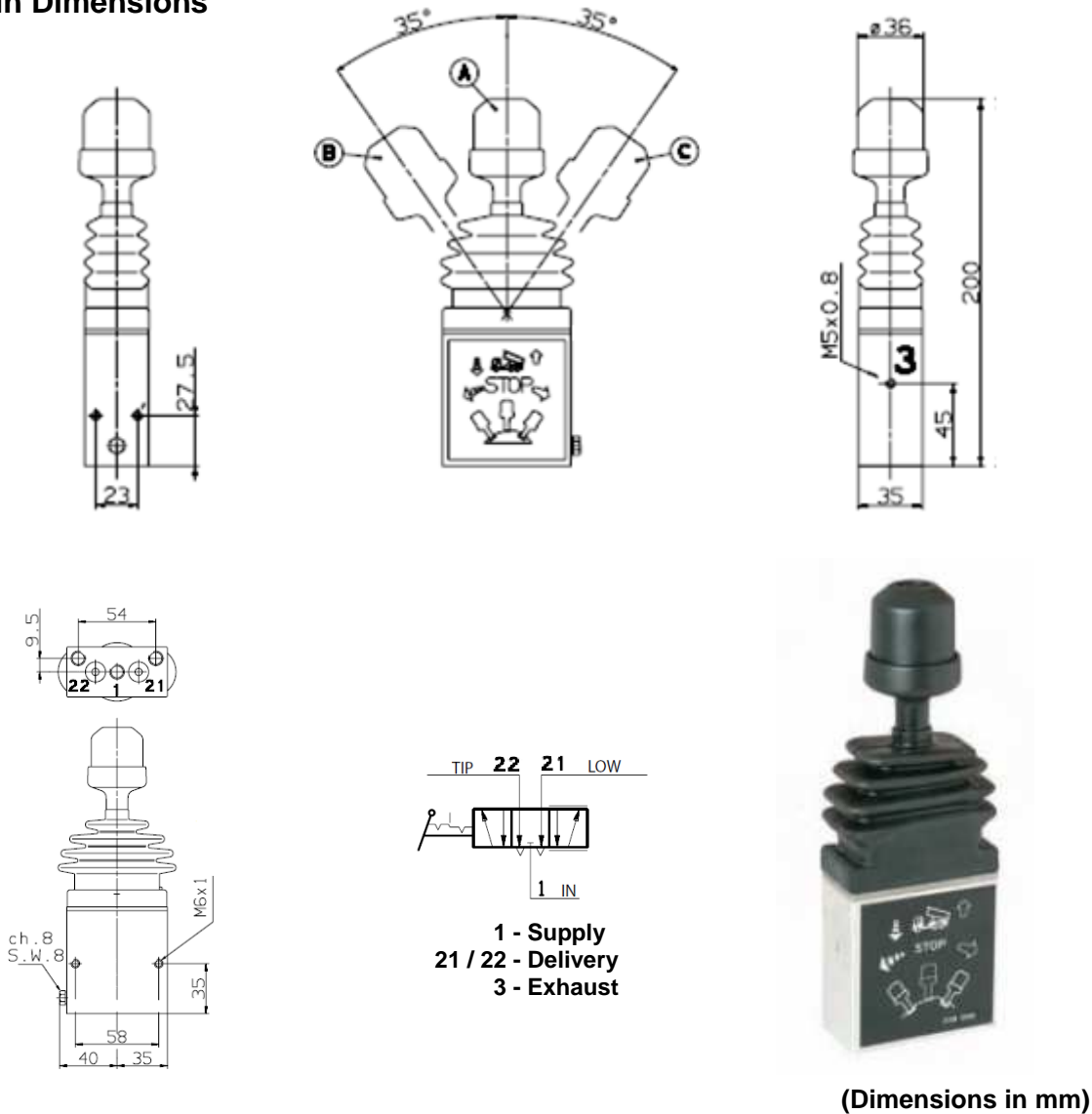


## 2 WAY DISTRIBUTOR VALVES

Ref. DCM01

with lever stop on Tip and Low position

### Main Dimensions



### Main Data

Working medium	Air
Operating pressure (Bar)	Mín. 5 ; Máx. 10
Working temperature	- 30°C / + 80 °C
Thread ports	G1/8"

CTI DCM01 0901-0

ABER is constantly engaged in improving its products and, therefore, reserves itself the right to modify without any further notice the characteristics shown



ABER - Embraagens e Comandos Hidráulicos - A. B. LDA

Rua Francisco de Almeida, Nº 30 - Vila Nova da Telha - 4470 MAIA - Portugal

Telephone: +351.22.9438070 Fax: +351.22.9420823 e-mail: [aber@aber.pt](mailto:aber@aber.pt) <http://www.aber.pt>

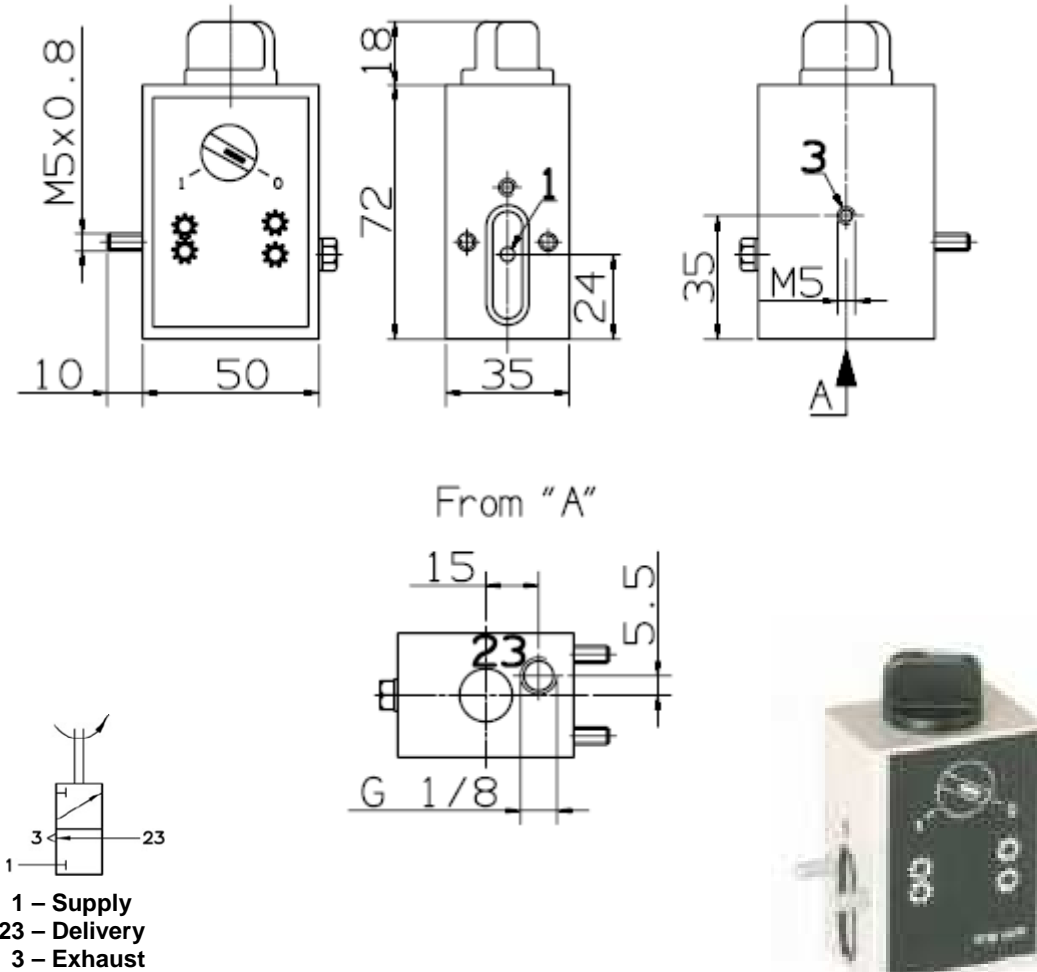


# ONE-WAY VALVE - SELECTOR

Ref. PTOCM01

For power take-off engagement control

## Main Dimensions



(Dimensions in mm)

Note: Thread ports - G1/8".

CTI PTOCM01 0901-0

ABER is constantly engaged in improving its products and, therefore, reserves itself the right to modify without any further notice the characteristics shown



**ABER - Embragens e Comandos Hidráulicos - A. B. LDA**  
Rua Francisco de Almeida, Nº 30 - Vila Nova da Telha - 4470 MAIA - Portugal  
Telephone: +351.22.9438070 Fax: +351.22.9420823 e-mail: [aber@aber.pt](mailto:aber@aber.pt) <http://www.aber.pt>



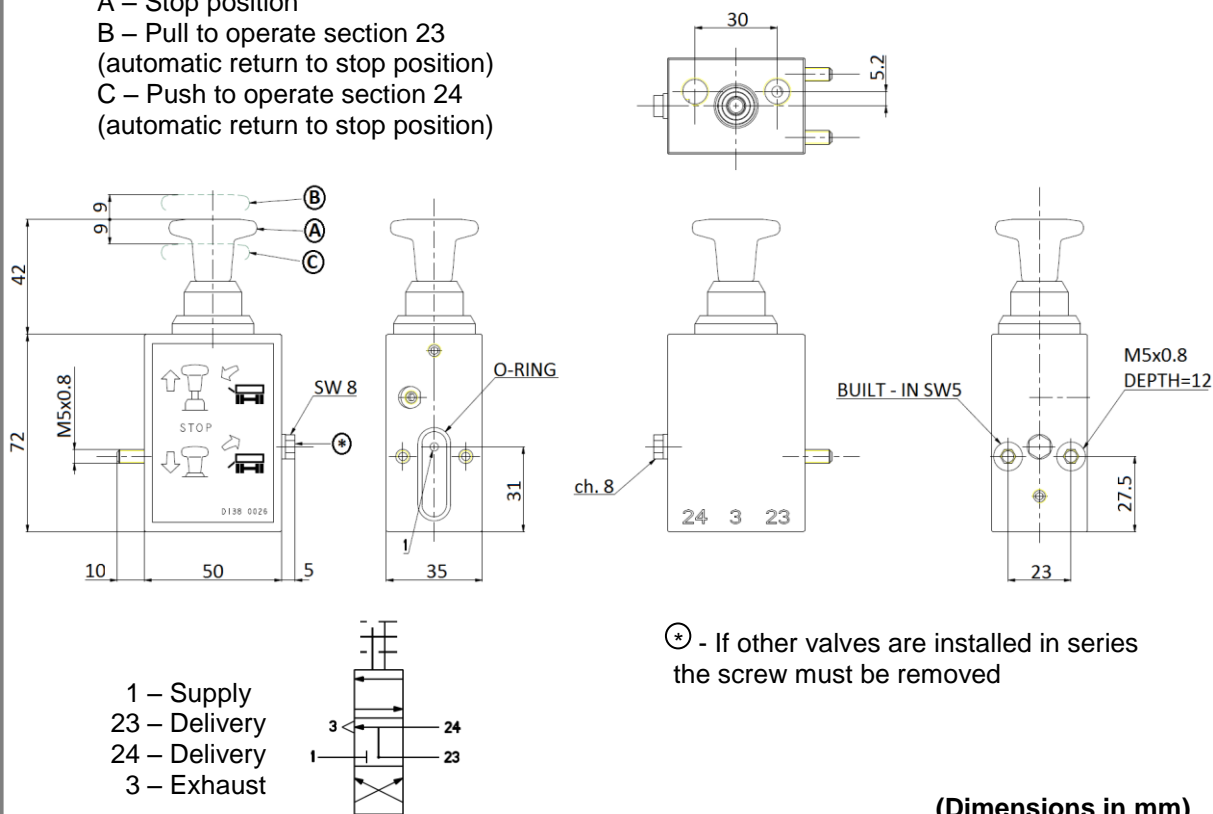
# DOUBLE-WAY VALVE - SELECTOR

Ref. TCM01

Taipal Control Meiller Type

## Main Dimensions

- A – Stop position
- B – Pull to operate section 23  
(automatic return to stop position)
- C – Push to operate section 24  
(automatic return to stop position)



## Main Data

Maximum working pressure (bar)	12
Working temperature	-40°C/ +80°C
Weight (approx.) (kg)	0,4
Thread ports (BSP)	1/8"
Tightening torque for connecting threads (N.m)	8-13

CTI TCM01 1403-0

ABER is constantly engaged in improving its products and, therefore, reserves itself the right to modify without any further notice the characteristics shown



**ABER - Embraigens e Comandos Hidráulicos - A. B. LDA**

Rua Francisco de Almeida, Nº 30 – Vila Nova da Telha – 4470 MAIA - Portugal

Telephone: +351.22.9438070 Fax: +351.22.9420823 e-mail: [aber@aber.pt](mailto:aber@aber.pt) <http://www.aber.pt>

1/1

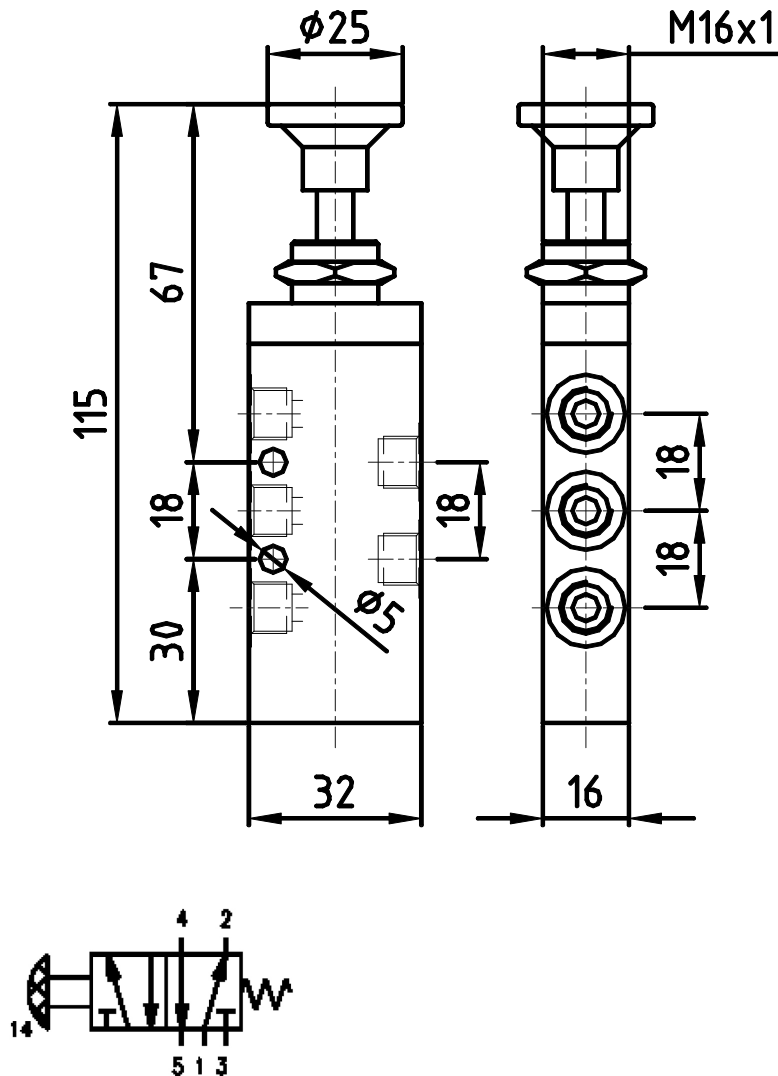


# PNEUMATIC VALVE

Ref. V358910CP

5X2 R 1/8 BOT.

## Main Dimensions



(Dimensions in mm)

## Main Data

Working medium	Air
Operating pressure (Bar)	up to 6
Working temperature	0°C / + 60 °C
Nominal diameter (mm)	5
Thread Ports	G1/8"
Weight (Kg)	0,118

CTI V358910CP 0901-1

ABER is constantly engaged in improving its products and, therefore, reserves itself the right to modify without any further notice the characteristics shown



**ABER - Embraiagens e Comandos Hidráulicos - A. B. LDA**

Rua Francisco de Almeida, Nº 30 – Vila Nova da Telha – 4470 MAIA - Portugal

Telephone: +351.22.9438070 Fax: +351.22.9420823 e-mail: [aber@aber.pt](mailto:aber@aber.pt) <http://www.aber.pt>

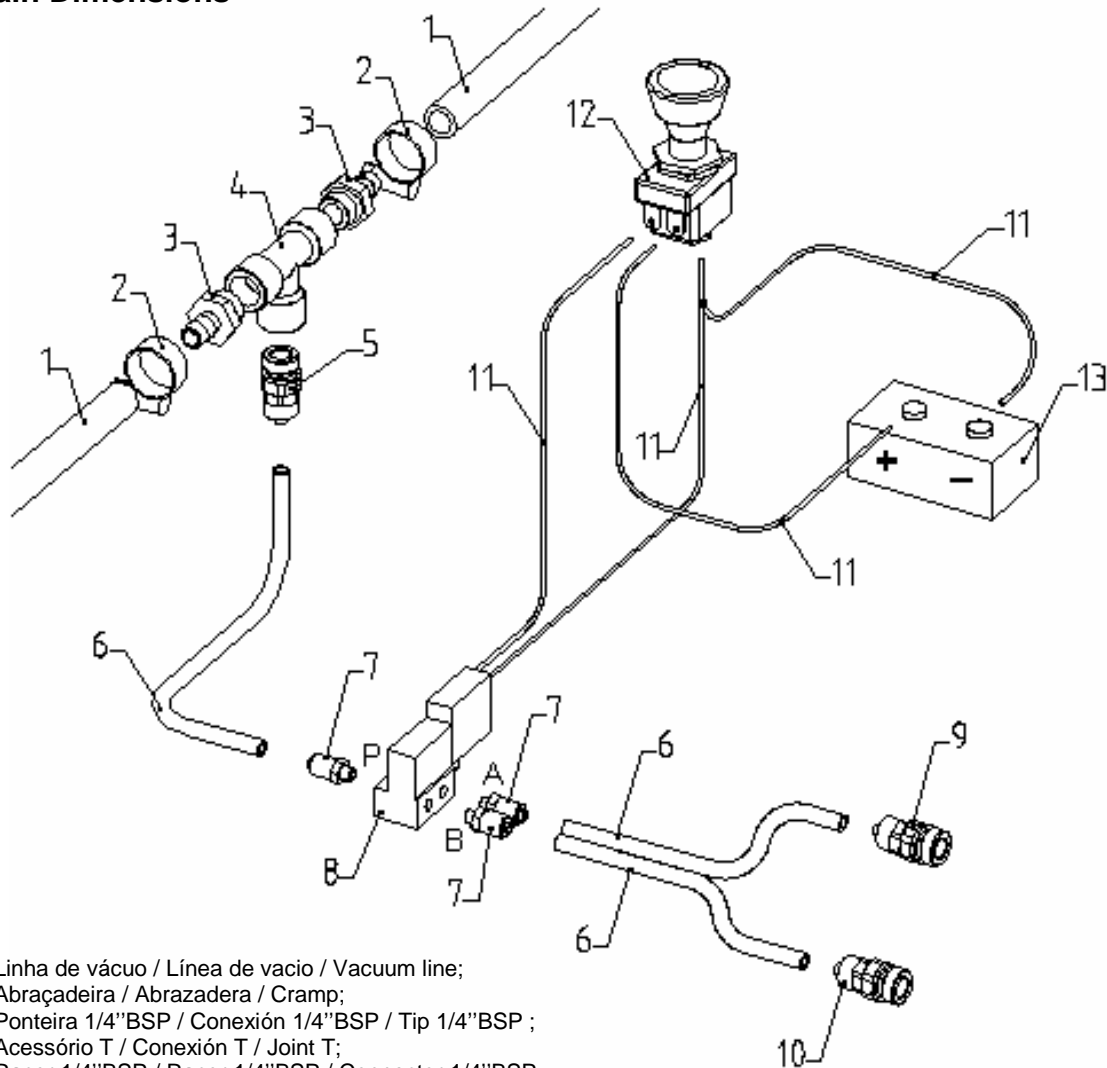




# KIT DE VÁCUO / KIT DE VACIO / VACUUM KIT

12V / 24V

## Main Dimensions



- 1- Linha de vácuo / Línea de vacío / Vacuum line;
- 2- Abraçadeira / Abrazadera / Cramp;
- 3- Ponteira 1/4" BSP / Conexión 1/4" BSP / Tip 1/4" BSP ;
- 4- Acessório T / Conexión T / Joint T;
- 5- Racor 1/4" BSP / Racor 1/4" BSP / Connector 1/4" BSP ;
- 6- Tubo 4x6 / Tubo 4x6 / Pipe 4x6;
- 7- Racor M5 / Racor M5 / Connector M5;
- 8- Electrovalvula / Electrovalvula / Electrovalve;
- 9- Racor 1/8" (engrena a tomada) / Racor 1/8" (engrena la pto) / Connector 1/8" BSP (engage the pto) ;
- 10- Racor 1/8" (desengrena a tomada) / Racor 1/8" (desengrena la pto) / Conector 1/8" BSP (disengage the pto);
- 11- Cabo eléctrico / Cable eléctrico / Electric wire;
- 12- Comando / Mando / Control;
- 13- Bateria (não é fornecida com o kit) / Batería (no es suministrada con kit) / Battery (isn't supplied with the kit)

(Dimensions in mm)

## Main Data

Ref.	KIT DE VÁCUO / KIT DE VACIO / VACUUM KIT
KVAC12	12V
KVAC24	24V

ABER is constantly engaged in improving its products and, therefore, reserves itself the right to modify without any further notice the characteristics shown



**ABER - Embraiaçens e Comandos Hidráulicos - A. B. LDA**

Rua Francisco de Almeida, Nº 30 – Vila Nova da Telha – 4470 MAIA - Portugal

Telephone: +351.22.9438070 Fax: +351.22.9420823 e-mail: [aber@aber.pt](mailto:aber@aber.pt) <http://www.aber.pt>



## KIT DE VÁCUO / KIT DE VACIO / VACUUM KIT

12V / 24V

### INFORMAÇÃO GERAL

As seguintes instruções de montagem para os kits de vácuo 12V e 24V, devem ser seguidas, por forma a assegurar um bom funcionamento dos mesmos. Caso estas instruções não sejam seguidas, qualquer reclamação em garantia não será aceite.

### INSTRUÇÕES

- a) Localizar a linha de vácuo (1)
- b) Inserir o "T" (3/4/5), pelas extremidades opostas e fixar com as abraçadeiras (2)
- c) Cortar a quantidade de tubo (6) necessário para unir a extremidade livre do "T" com a electroválvula (8).
- d) Fixar a electroválvula num ponto protegido das intempéries.
- e) Passar o cabo eléctrico (11) desde a electroválvula até ao interior da cabine, para o ligar ao interruptor de accionamento.
- f) Roscar os racors (9/10) no bombito da tomada de força.
- g) Com o tubo (6) que sobrou, cortar a quantidade necessária para ligar a electroválvula (8) com a tomada de força (1). A posição depende: Luz da electroválvula acesa – engrenamento da tomada de força; Luz da electroválvula apagada – desengrenamento da tomada de força.
- h) Ao fixar os tubos, ter cuidado para que não estejam submetidos a aquecimentos, tensões ou encostados noutras superfícies que possam provocar o seu desgaste e posterior rompimento.

### INFORMACIÓN GENERAL

Las siguientes instrucciones de montaje para los kits de vacío de 12 y 24V deberán ser seguidas, de forma a asegurar un buen funcionamiento.

Sí estas instrucciones no fueren respectadas, cualquier reclamación en garantía no será aceptada.

### INSTRUCCIONES

- a) Localizar la línea de vacío (1).
- b) Insertar el "T" (3/4/5), por las extremidades opuestas y fijar con las abrazaderas (2).
- c) Cortar la cantidad necesaria de tubo (6) para unir la extremidad libre de la "T" con el electro válvula (8).
- d) Fijar el electro válvula en un punto protegido de las intemperies.
- e) Pasar el cable eléctrico (11) desde el electro válvula hasta el interior de la cabina para conectarlo al interruptor de accionamiento.
- f) Roscar los racores (9/10) en lo pistón de vacío de la toma de fuerza .
- g) Con lo que resta de lo tubo, cortar la cantidad necesaria para conectar la electro válvula a la toma de fuerza. La posición depende: Luz de la electro válvula encendida – engranaje de la toma de fuerza; Luz apagada – desengranaje de la toma de fuerza.
- h) Al fijar los tubos, tener precaución de que no están cerca de fuentes de calor, que no están debajo de tensiones y que no están en contacto con otras superficies que puedan dáñalos.

### GENERAL INFORMATION

The following assembling instructions for the 12 and 24V vacuum kits should be followed in order to assure good functioning. In case of disrespect of these instructions, any claim under guarantee will not be accepted.

### INSTRUCTIONS

- a) Look for de vacuum line (1).
- b) Insert the "T" (3/4/5), by the opposing extremities and fix it with the cramps (2)
- c) Cut the necessary length of pipe (6) in order to connect the free extremity of the "T" to the electro valve (8).
- d) Fix the electro valve at a point safe from bad weather conditions.
- e) Pass the electrical cable (11) from the electro valve till the inside of the cabin to connect it to the switcher.
- f) Screw the connectors (9/10) in the vacuum piston of the PTO.
- g) With the remaining pipe, cut the necessary length to connect the electro valve to the PTO. The position depends on: Light of the electro valve on – PTO engaged; Light of the electro valve off – PTO disengaged.
- h) When fixing the pipes be careful: to put them away from heating sources; not to put the pipes in tension; and to protect them from surfaces that may damage them.

ABER is constantly engaged in improving its products and, therefore, reserves itself the right to modify without any further notice the characteristics shown



**ABER - Embraiaçgens e Comandos Hidráulicos - A. B. LDA**

Rua Francisco de Almeida, Nº 30 – Vila Nova da Telha – 4470 MAIA - Portugal

Telephone: +351.22.9438070 Fax: +351.22.9420823 e-mail: [aber@aber.pt](mailto:aber@aber.pt) <http://www.aber.pt>

2/2

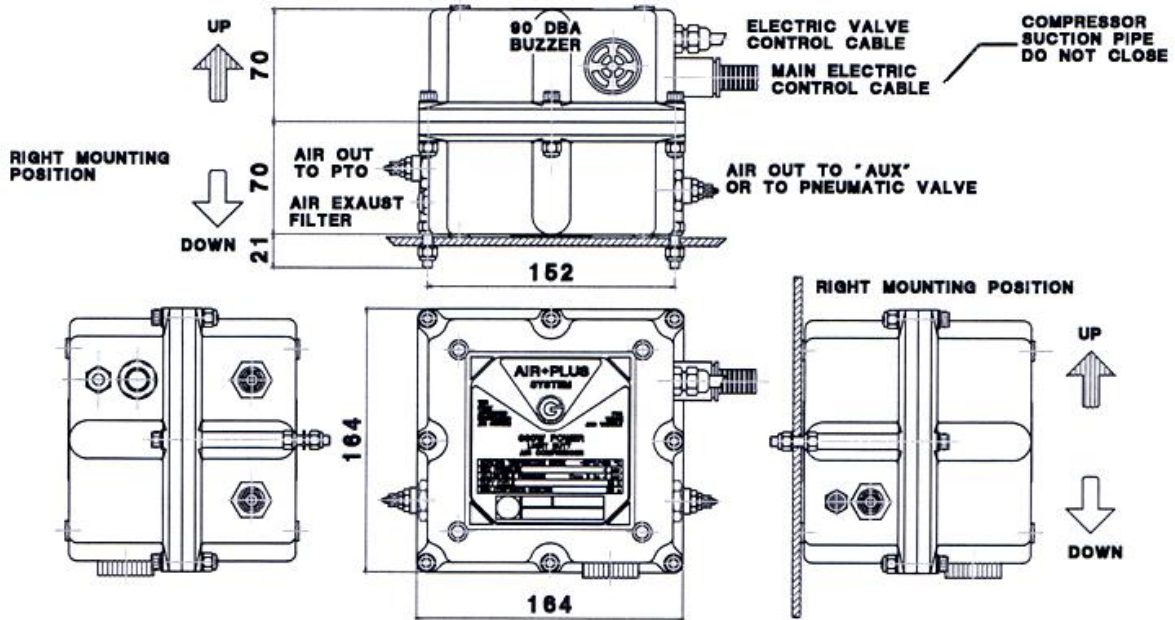


# PNEUMATIC KIT

12V /24V

Ref. KPNE12  
KPNE24

## Main Dimensions



(Dimensions in mm)

## Main Data

Working temperature range	-10 °C / +50 °C
Max pressure permitted	4 bar
Adjustable working pressure	from 1 to 4 bar
Setting pressure	3.5 bar
Max continuous working	60 sec
IP Protection class	IP 56

### Notes:

1. Don't exceed the pressure permitted. Electrical protection "Fuse" are mandatory. Do not use compressor with leakage of air or low voltage battery.
2. Keep the compressor distant from hot and radiant surface

CTI KPNE12 / KPNE24 1501 - 3

ABER is constantly engaged in improving its products and, therefore, reserves itself the right to modify without any further notice the characteristics shown

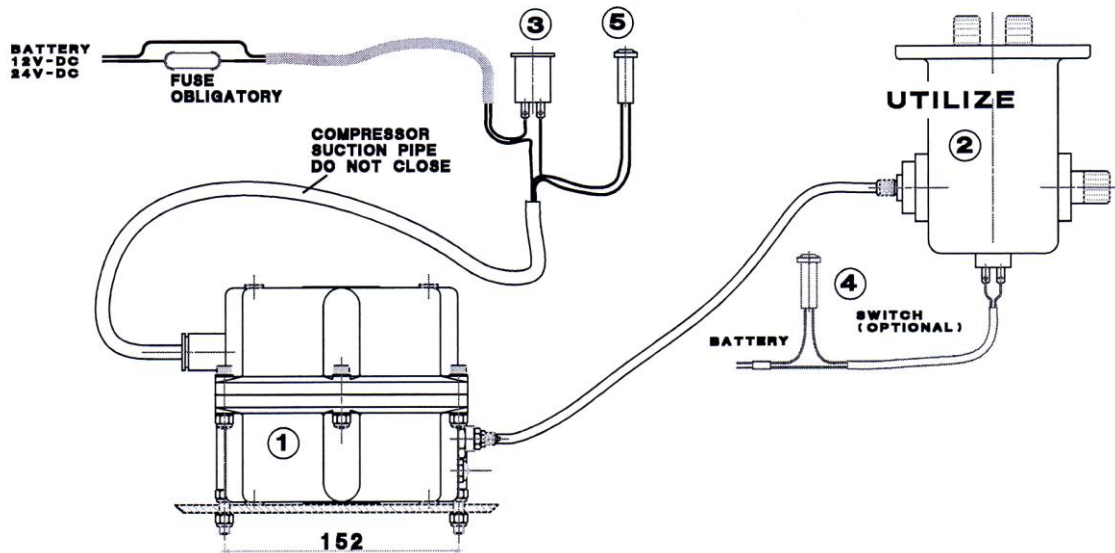


**ABER - Embraagens e Comandos Hidráulicos - A. B. LDA**

Rua Francisco de Almeida, N° 30 – Vila Nova da Telha – 4470 MAIA - Portugal

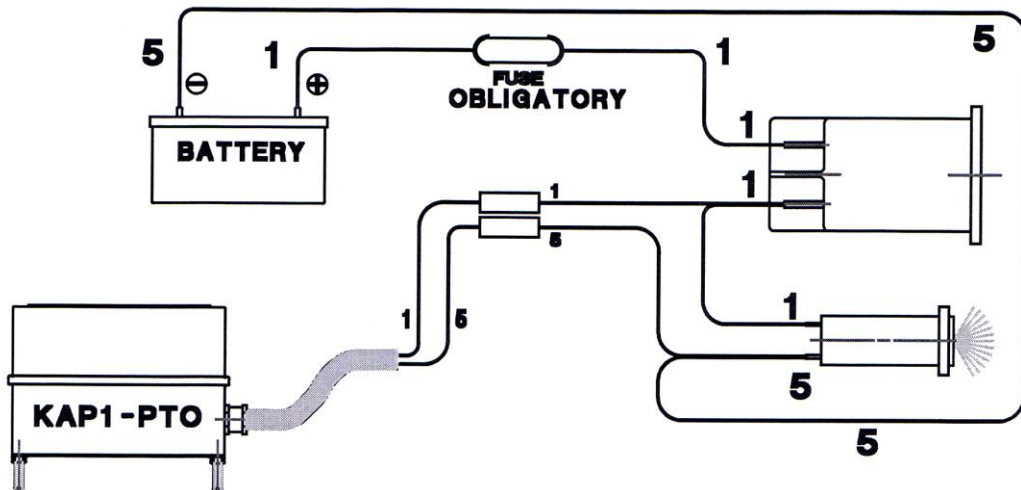
Telephone: +351.22.9438070 Fax: +351.22.9420823 e-mail: [aber@aber.pt](mailto:aber@aber.pt) <http://www.aber.pt>

Electric scheme



Minimum size of battery connection wires - 1.5mm<sup>2</sup>

5 A Fuse obligatory - Voltage 12VDC/24VDC (+5V/-0V) for AIR PLUS LIGHT DUTY  
7,5 A Fuse obligatory - Voltage 12VDC/24VDC (+5V/-0V) for AIR PLUS HEAVY DUTY



CTI KPNE12 / KPNE24 1501 - 3

ABER is constantly engaged in improving its products and, therefore, reserves itself the right to modify without any further notice the characteristics shown

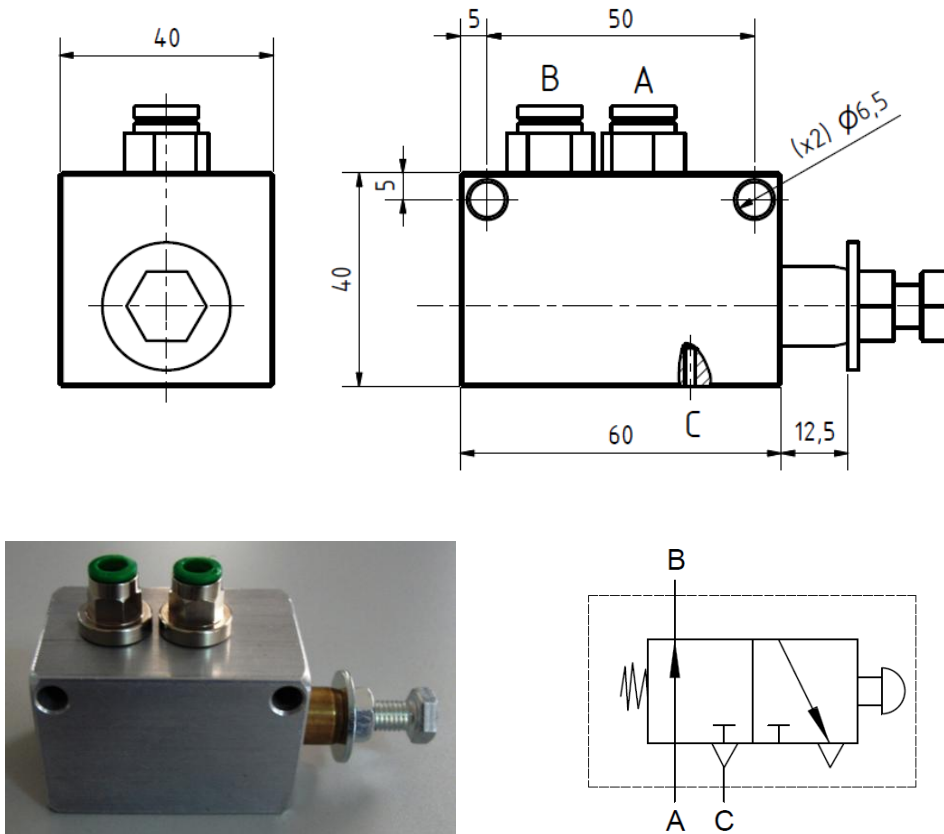


## End of Strokes

Ref. VFCNO

Pneumatic end of stroke, normally open

### Main Dimensions



- A. Air line connection
- B. Valve connection (Ascent connection)
- C. Escape

(Dimensions in mm)

### Main Data

Máx. operating pressure (Bar)	12
Min. working temperature	- 30 °C
Body	Aluminium
Weight (Kg)	0.3

CTI VFCNO 1405- 0

ABER is constantly engaged in improving its products and, therefore, reserves itself the right to modify without any further notice the characteristics shown



**ABER - Embraagens e Comandos Hidráulicos - A. B. LDA**  
 Rua Francisco de Almeida, Nº 30 – Vila Nova da Telha – 4470 MAIA - Portugal  
 Telephone: +351.22.9438070 Fax: +351.22.9420823 e-mail: [aber@aber.pt](mailto:aber@aber.pt) <http://www.aber.pt>

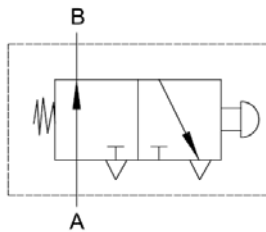
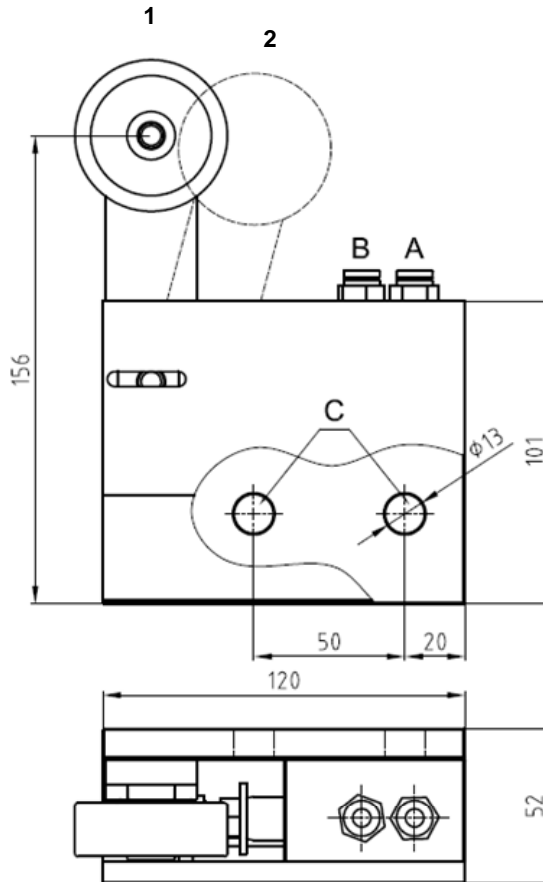


## 2 Way Distributor Valve

Ref. SVFCNO

Pneumatic end of stroke, normally open + support

### Main Dimensions



- A. Air line connection
- B. Valve connection (Ascent connection)
- C. Fixation holes
- 1. Open connection between air line and valve
- 2. Closed connection between air line and valve

(Dimensions in mm)

### Main Data

Operating pressure (Bar)	up to 12	
Working temperature	Distributor valve	- 30 °C / + 80 °C
	Automatic fittings	- 20 °C / + 80 °C
Weight (Kg)	1,9	

CTI-SVFCNO 0904-0

ABER is constantly engaged in improving its products and, therefore, reserves itself the right to modify without any further notice the characteristics shown



ABER - Embraiaçens e Comandos Hidráulicos - A. B. LDA

Rua Francisco de Almeida, Nº 30 – Vila Nova da Telha – 4470 MAIA - Portugal

Telephone: +351.22.9438070 Fax: +351.22.9420823 e-mail: [aber@aber.pt](mailto:aber@aber.pt) <http://www.aber.pt>





## 3 Way Distributor Valve

Ref. VFCCOCC

Pneumatic end of stroke valve, open / closed circuit

### Main Dimensions



11

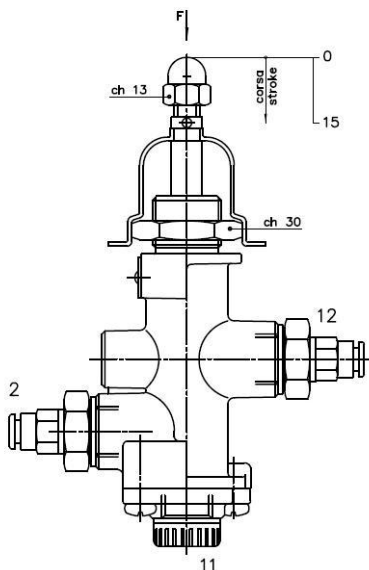
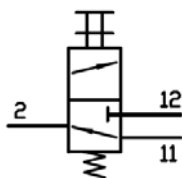
NC – normally close



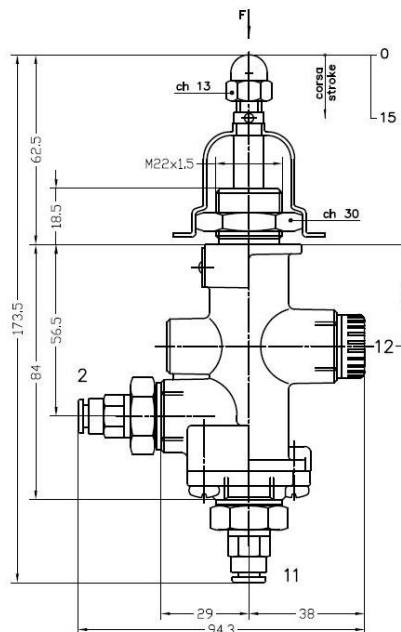
12

NO – normally open

### Pneumatic scheme



11



(Dimensions in mm)

### Main Data

Operating pressure (Bar)	Máx. 10
Working temperature	- 40 °C / + 80 °C
Weight (Kg)	0,55

ABER is constantly engaged in improving its products and, therefore, reserves itself the right to modify without any further notice the characteristics shown



ABER - Embraiagens e Comandos Hidráulicos - A. B. LDA

Rua Francisco de Almeida, Nº 30 – Vila Nova da Telha – 4470 MAIA - Portugal

Telephone: +351.22.9438070 Fax: +351.22.9420823 e-mail: [aber@aber.pt](mailto:aber@aber.pt) <http://www.aber.pt>