



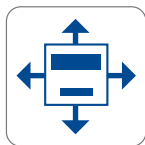
R FLOW



LIGHT OILS



DIESEL

OUTLET
POSITION

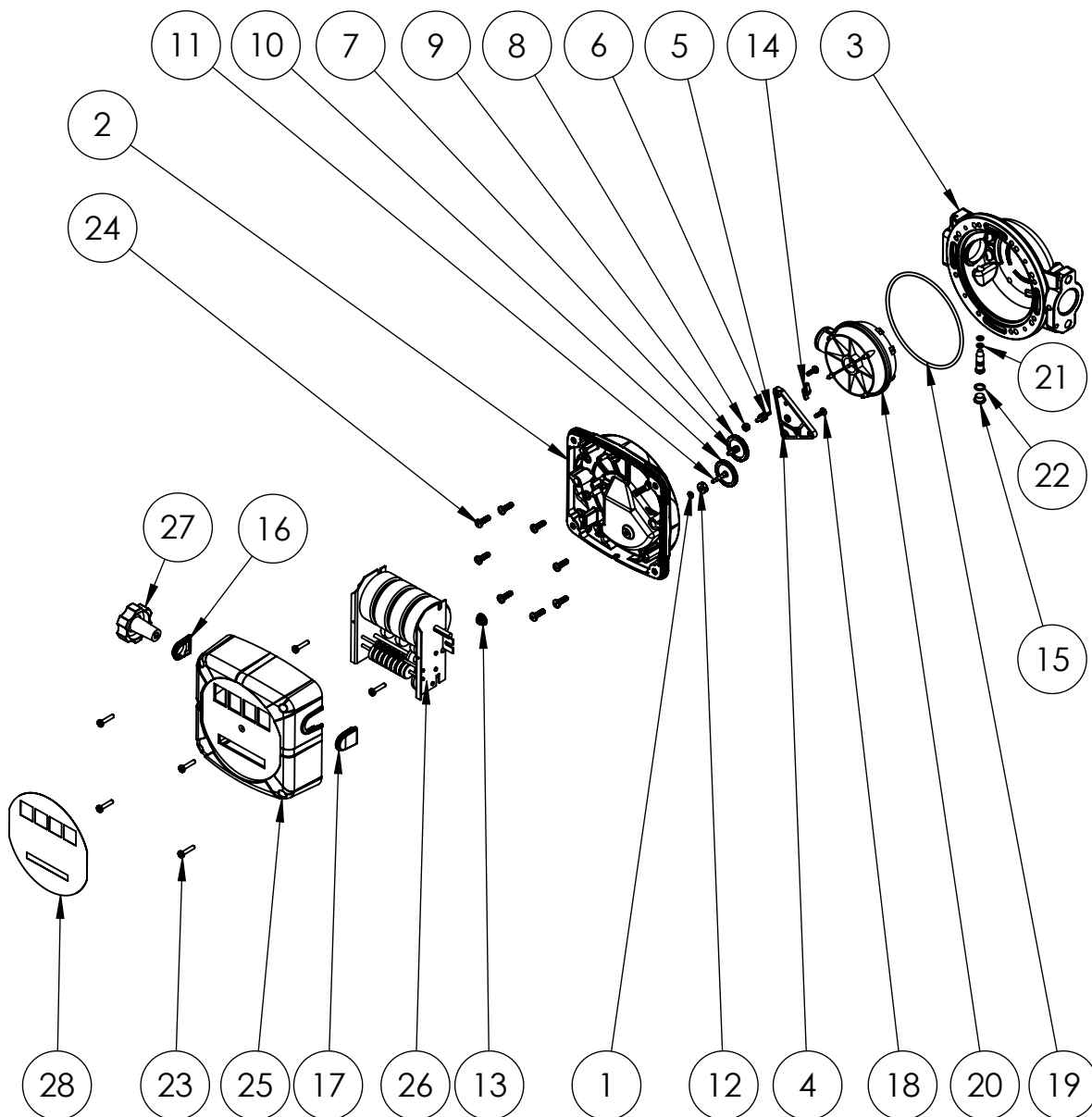
FEATURES	3C	4C
Measuring system:	Oscillating disk	Oscillating disk
Protection:	IP55	IP55
Partial [digits]:	3	4
Totalizer [digits]:	6	8
Unit of measure:	litre, gallons*	litre, gallons*
Min flow rate [l/min / GPM]:	20 / 5,28	20 / 5,28
Max flow rate [l/min / GPM]:	120 / 31,7	120 / 31,7
Suitable for gravity:	Yes	Yes
Calibration:	Yes	Yes
Pressure Max [bar/psi]:	10/145	10/145
Burst pressure [bar/psi]:	30/435	30/435
Precision [%]:	± 1	± 1
Repeatability [%]:	0,2	0,2
Outlet position:	High, Low, Right, Left	High, Low, Right, Left
Inlet/Outlet [BSP/G]:	1" F Flanged	1" F Flanged
Body material:	Alluminium	Alluminium
Gear material:	PBT	PBT
O-Ring material:	NBR	NBR
Other materials in contact with the fluid:	Brass, Steel	Brass, Steel
Min/Max Temperature [°C]:	-20 / +50	-20 / +50
Allowed fluids:	Diesel	Diesel
Forbidden fluids:	Gas, Alcool, Gasoline, Water	Gas, Alcool, Gasoline, Water
Loudness at less 1 meter [dBA]:	< 75	< 75
Net weight [Kg]:	1,9	1,9
Single size packaging [mm]:	1 220 x b 150 x h 220	1 220 x b 150 x h 220
Gross weight [Kg]:	2,2	2,2

(*) Available gallons version on request



R-FLOW

MADE IN ITALY 



N°	CODE	Description	Q.ty
1	OR051	QUAD-RING (3,68x1,78) FKM 70SH	1
2	TF095	CHAMBER LID	1
3	TF097	METER BODY	1
4	TF098	GEAR HOLDER	1
5	TF099	GEAR WHEEL SHAFT Z.14	1
6	TF100	GEAR WHEEL Z14	1
7	TF101	WHEEL GEAR SHAFT Z .61/11 Z.61/23	1
8	TF102	SHAFT BUSHING Ø3MM	1
9	TF103	GEAR WHEEL Z61-Z11	1
10	TF104	GEAR WHEEL Z62	1
11	TF105	CONIC PINION SHAFT	1
12	TF106	BUSHING CONIC SHAFT	1
13	TF107	CONIC PINION Z14	1
14	TF108	DRAG LEVER	1
15	TF110	BYPASS CLOSING CAP WITH O-RING	1
16	TF111	HOLED COVER CAP	1
17	TF112	CAP COVER	1
18	VT048	SCREW TC 3,5X12 UNI8112 AUTOFORMING	2
19	OR045	O-RING 4450 (113,89x3,53) NBR 70SH	1
20	TF096	MEASURE CHAMBER	1
21	TF109	ADJUSTMENT BY-PASS SCREW WITH O-RING	1
22	11010100200	O-Ring 108 NBR	1
23	VT071	SCREW TC M4x20 8.8 UNI8112	6
24	VT040	SCREW TC CROSS M5x16 SELF FORMING UNI8112	8
25	TF091	METER COVER	1
26	TF045	4C DIGITS HEAD LITERS	1
27	TF063	MAT FLOW RESET KNOB	1
28	MA147	4C LABEL	1

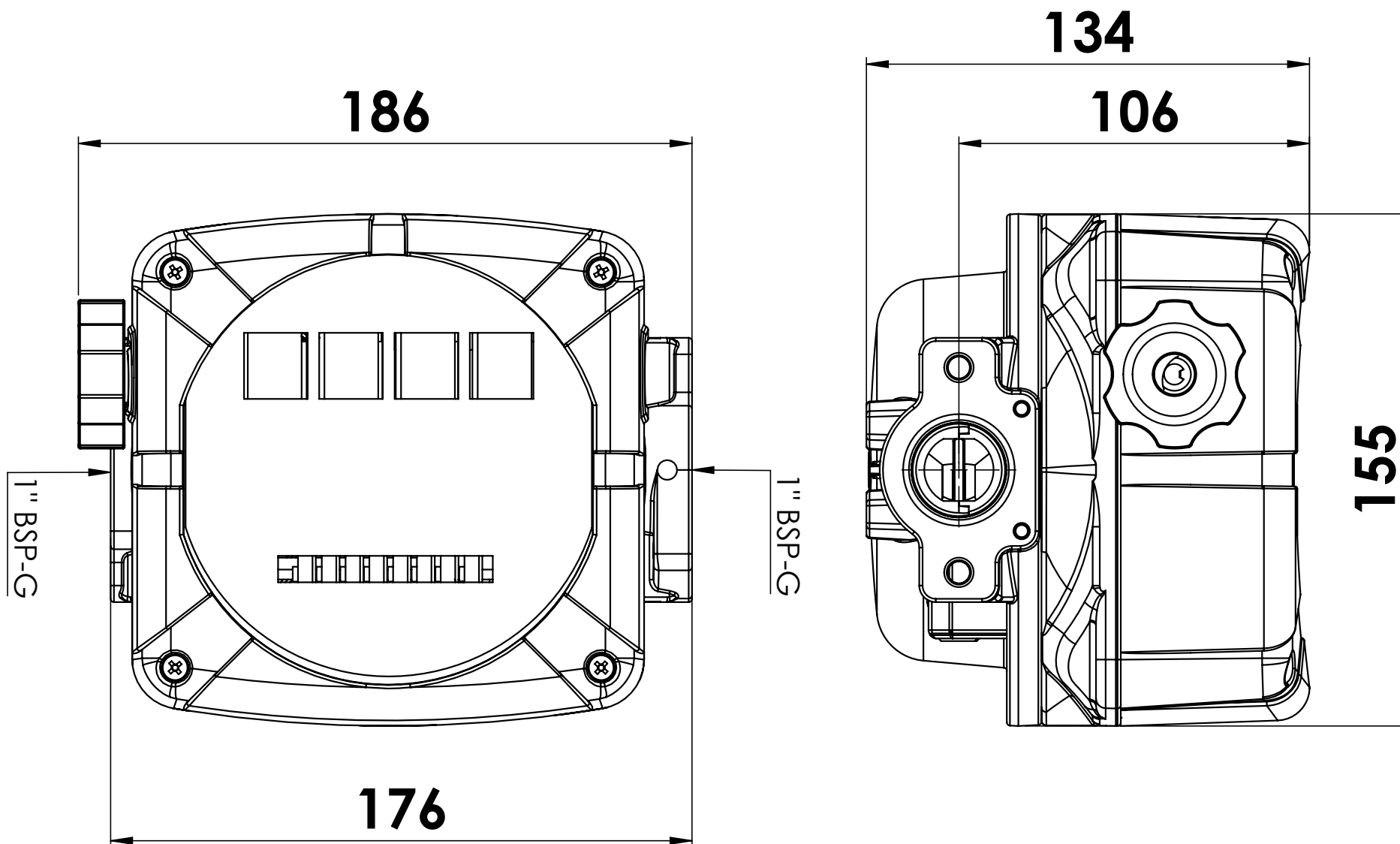


Adam Pumps spa
via della Resistenza 46/48
41011 Campogalliano (MO) - ITALIA

tel. +39 059 528 128
fax +39 059 528 437
info@adampumps.com



R-Flow 3C - 4C



tutte le dimensioni espresse in mm - all dimensions are in mm

