



MOTORI IDRAULICI

BMM

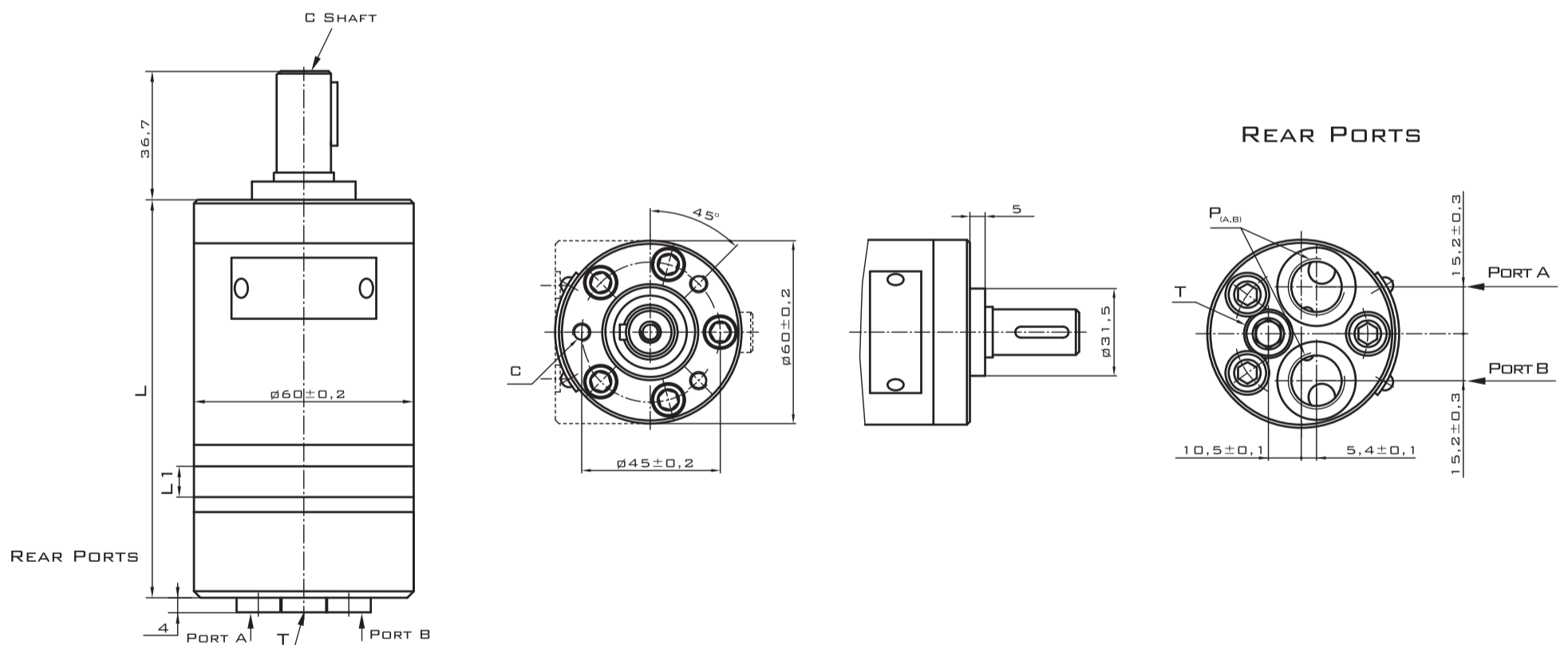
ORBIT HYDRAULIC MOTORS
WITH SPOOL VALVE

TECHNICAL DATA

TYPE	8	12.5	20	32	40	50
DISPLACEMENT, CM ³ /REV	8.2	12.9	19.9	31.6	39.8	50.3
MAX. CONTINUOUS PRESSURE DROP, BAR	100	100	100	100	90	70
MAX. CONTINUOUS TORQUE, NM	11	16	25	40	45	46
CONTINUOUS SPEED RANGE, MIN ⁻¹	1950	1550	1000	630	500	400
MAX. CONTINUOUS FLOW, L/MIN	16	20	20	20	20	20
MAX. CONTINUOUS OUTPUT POWER, KW	1.8	2.4	2.4	2.4	2.4	1.8
WEIGHT, KG	1.9	2	2.1	2.2	2.3	2.4
DIMENSION L, MM	104	106	109	114	117.5	122
DIMENSION L1, MM	3.5	5.5	8.5	13.5	17	21.5

INSTALLATION DIMENSIONS

THREE BOLTS MOUNT



HYDRAULIC SCHEME

