

MSH series

Maximum working pressure up to 3.5 MPa (35 bar) - Flow rate up to 195 l/min



Description

Technical data

Spin-on filters

Maximum working pressure up to 3.5 MPa (35 bar)
Flow rate up to 195 l/min

MSH is a range of spin-on filters suitable to be used in low pressure lines. They offer a good balance between performances, dimensions and prices. They are directly connected to the lines of the system through the hydraulic fittings.

Available features:

- Female threaded connections up to 1 1/4", for a maximum flow rate of 195 l/min
- Fine filtration rating, to get a good cleanliness level into the reservoir
- Strong sealing between the housing and cans, to be used in heavy applications
- Bypass valve, to relieve excessive pressure drop across the filter media
- Visual, electrical and electronic differential clogging indicators for low pressure applications

Common applications:

- Delivery lines, in economic industrial equipment or mobile machines

Filter housing materials

- Head: Anodized Aluminium
- Bypass valve: Nylon - Steel
- Element: Aluminium - Painted Steel

Bypass valve

Opening pressure: 250 kPa (2.5 bar) ±10%

Δp element type

- Δp: 5 bar
- Oil flow from OUT to IN

Seals

- Standard NBR - series A
- Optional FPM - series V

Temperature

From -20 °C to +110 °C

Note

MSH filters are provided for vertical mounting



Weights [kg] and volumes [dm³]

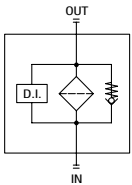
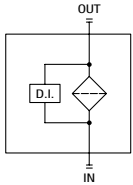
| Filter series | Weights [kg] | Volumes [dm ³] |
|----------------|--------------|----------------------------|
| MSH 050 | 1.50 | 0.65 |
| MSH 070 | 1.90 | 0.95 |
| MSH 100 | 3.30 | 1.80 |
| MSH 150 | 3.80 | 2.20 |

Cartridge

| Thread connections | |
|---------------------|------------|
| Type | Connection |
| CH 050 - 070 | M32 x 2 |
| CH 100 - 150 | M45 x 2 |

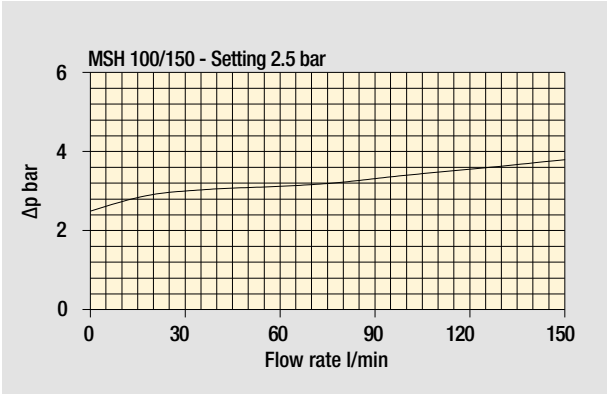
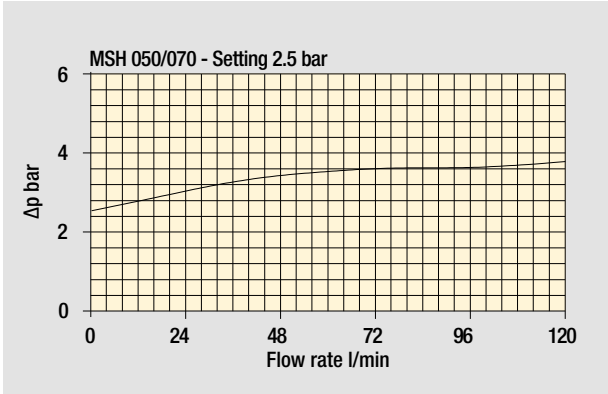
CH

| Filter series | Style S | Style B |
|----------------|---------|---------|
| MSH 050 | • | • |
| MSH 070 | • | • |
| MSH 100 | • | • |
| MSH 150 | • | • |



Pressure drop

Bypass valve pressure drop



The curves are plotted using mineral oil with density of 0.86 kg/dm³ in compliance with ISO 3968. Δp varies proportionally with density.

MSH MSH050 - MSH070 MSH100 - MSH150

Designation & Ordering code

COMPLETE FILTER

| | | | | | | |
|---|----------------------------|--|-------------------------------|--|--|--|
| Series and size | | Configuration example: MSH050 B A G1 A10 P01 | | | | |
| MSH050 MSH070 MSH100 MSH150 | | | | | | |
| Bypass valve | | | | | | |
| S | Without bypass | | | | | |
| B | 2.5 bar | | | | | |
| Seal | | | | | | |
| A | NBR | | | | | |
| Connections | MSH 050 - 070 | MSH 100 - 150 | | | | |
| G1 | G 1" | G 1 1/2" | | | | |
| G2 | G 3/4" | G 1 1/4" | | | | |
| G3 | 1" NPT | 1 1/2" NPT | | | | |
| G4 | 3/4" NPT | 1 1/4" NPT | | | | |
| G5 | SAE 16 - 1 5/16" - 12 UN | SAE 24 - 1 7/8" - 12 UN | | | | |
| G6 | SAE 12 - 1 1/16" - 12 UN | SAE 20 - 1 5/8" - 12 UN | | | | |
| Filtration rating (filter media) | | | | | | |
| A03 | Inorganic microfiber 3 µm | M25 | Wire mesh 25 µm | | | |
| A06 | Inorganic microfiber 6 µm | M60 | Wire mesh 60 µm | | | |
| A10 | Inorganic microfiber 10 µm | M90 | Wire mesh 90 µm | | | |
| A25 | Inorganic microfiber 25 µm | P10 | Resin impregnated paper 10 µm | | | |
| | | P25 | Resin impregnated paper 25 µm | | | |
| | | Execution | | | | |
| | | P01 MP Filtri standard | | | | |

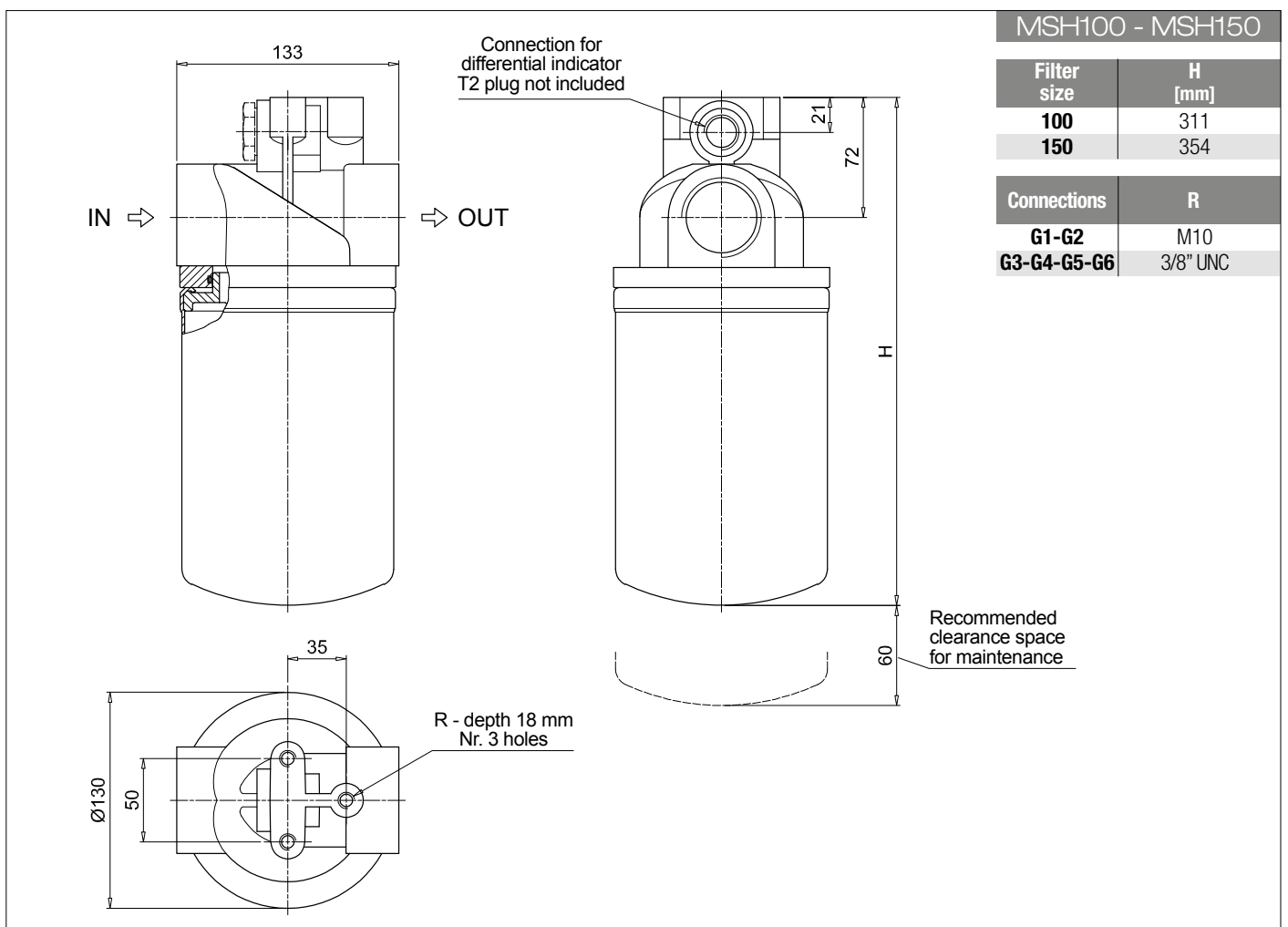
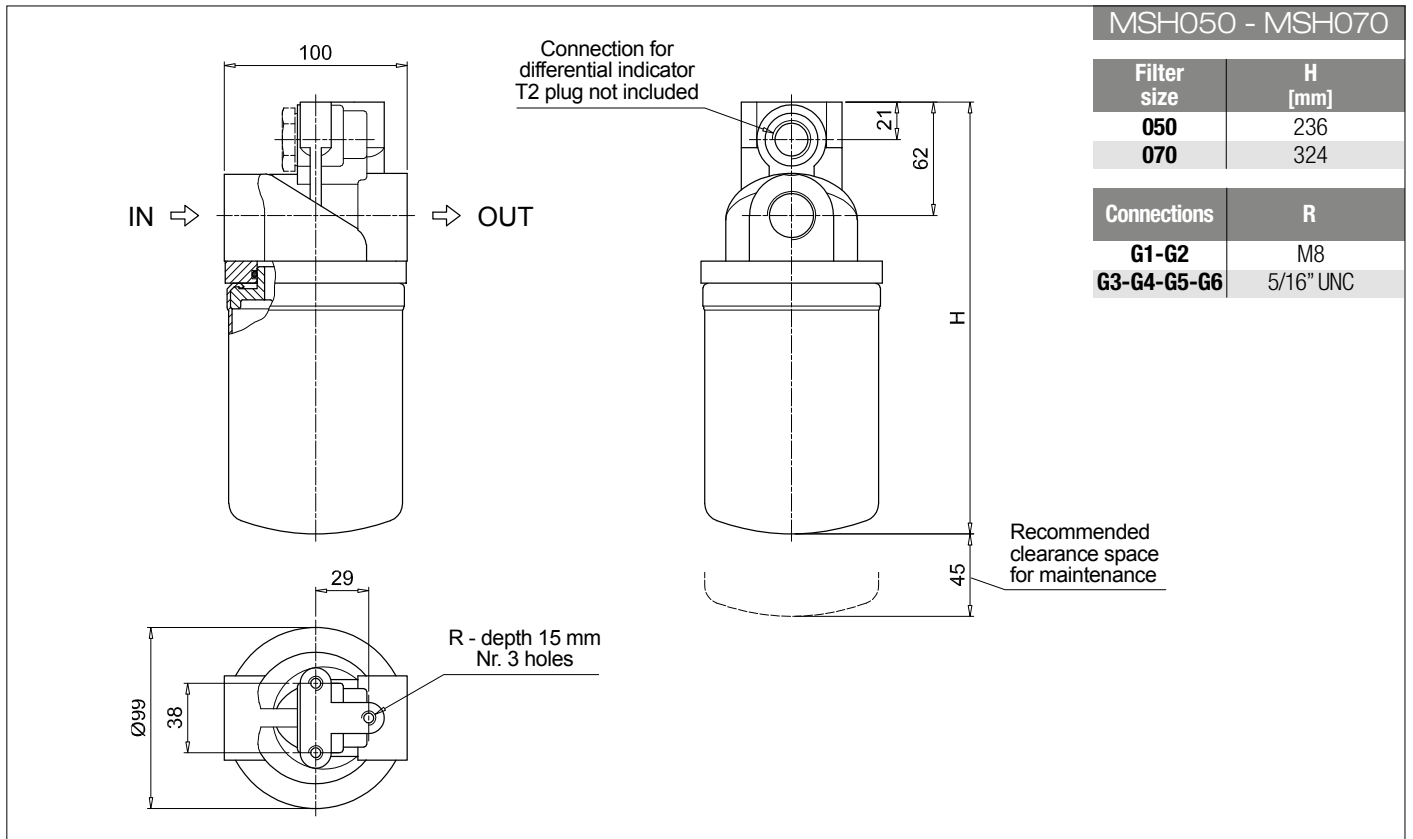
CARTRIDGE

| | | | | | |
|---|----------------------------|--|-------------------------------|-------------------------------|--|
| Cartridge series and size | | Configuration example: CH050 A10 A P01 | | | |
| CH050 CH070 CH100 CH150 | | | | | |
| Filtration rating (filter media) | | | | | |
| A03 | Inorganic microfiber 3 µm | M25 | Wire mesh 25 µm | | |
| A06 | Inorganic microfiber 6 µm | M60 | Wire mesh 60 µm | | |
| A10 | Inorganic microfiber 10 µm | M90 | Wire mesh 90 µm | | |
| A25 | Inorganic microfiber 25 µm | P10 | Resin impregnated paper 10 µm | | |
| | | P25 | Resin impregnated paper 25 µm | | |
| | | Seal | | Execution | |
| | | A NBR | | P01 MP Filtri standard | |
| | | | | Pxx Customized | |

ACCESSORIES

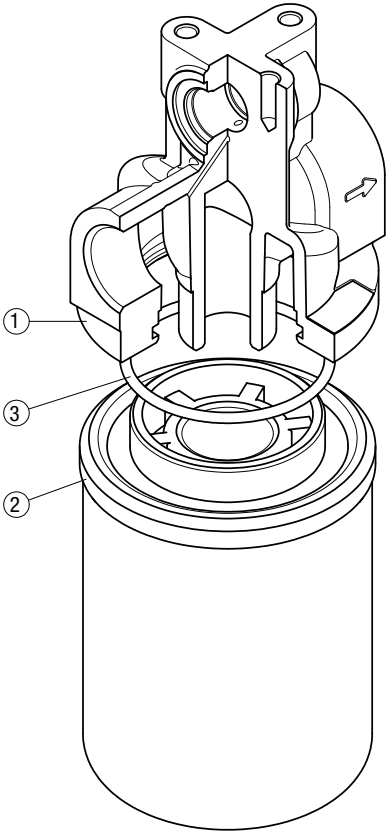
| Differential indicators | | page | | | page |
|--------------------------------|--|---------|------------|-----------------------------------|------|
| DEA | Electrical differential indicator | 317 | DTA | Electronic differential indicator | 320 |
| DEM | Electrical differential indicator | 317-318 | DVA | Visual differential indicator | 320 |
| DLA | Electrical / visual differential indicator | 318-319 | DVM | Visual differential indicator | 320 |
| DLE | Electrical / visual differential indicator | 319 | | | |

| Additional features | | page |
|----------------------------|------|------|
| T2 | Plug | 321 |



MSH SPARE PARTS

Order number for spare parts



| Item: | Q.ty: 1 pc. 1 | Q.ty: 1 pc. 2 | Q.ty: 1 pc. 3 |
|--------------------|------------------|------------------|---------------------------|
| Filter series | Filter assembly | Cartridge | Seal code number |
| MSH 050-070 | See order table | See order table | 0-R 167 (ø 63.50 x 3.53) |
| MSH 100-150 | See order table | See order table | 0-R 4362 (ø 91.67 x 3.53) |