

## DESCRIPTION

Pressure Test Device is used for pressure check operations of compressed gas or liquids. TB1.4 series pressure test device has 4 pieces manometer. It can be guaged 2 different lines at the same time due to 2 different pressure test hose. Products ,which is used in this test device, are robust and proof.

## APPLICATION

- Mobile Hydraulic Machines
- Automotive Sector
- Hydraulic Press machines
- Heavy-Duty Machines
- Vehicle Mounted Equipment Sector ( Fire Trucks, Garbage Trucks etc.)

## SPECIAL FEATURES

|                                |   |
|--------------------------------|---|
| Model                          | : TB1.4   |
| Manometer                      | : Manometers which are inside of pressure test device, are optional for user.   |
| Permissible liquid temperature | : +20 °C ... +60°C  |
| Manometer test gland           | : Test Glands of Pressure Test Device; <ul style="list-style-type: none"> <li>• M16x2 - 1/8" BSP Hydraulic Manometre Test gland : 2 pieces</li> <li>• M16x2 - 3/8" BSP Hydraulic Manometre Test gland : 2 pieces</li> <li>• M16x2 - 1/4" BSP Hydraulic Manometre Test gland : 2 pieces</li> </ul> |
| Pressure Test Hose             | : DN2 Manometer test hose M16x2 - 1/4"BSP - 200cm 2 pcs.<br>Max:630 bar   |

Not : User must supply all safety conditions of pressure test device for productively using.



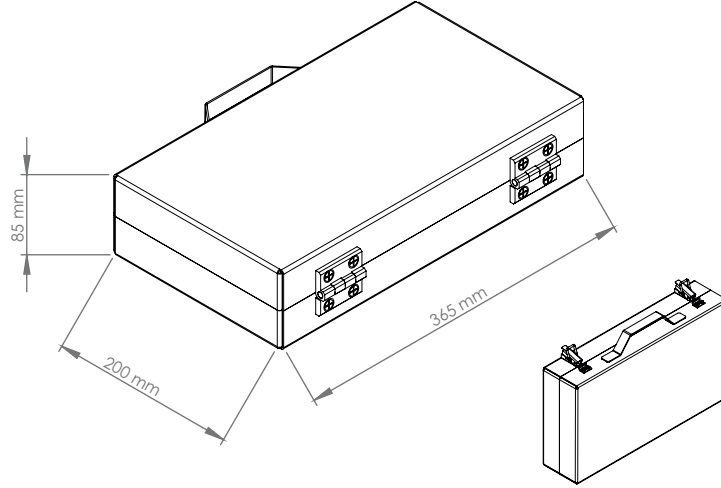
## ORDER CODE

To create the Order Code, add the appropriate number instead of the "...“order is given in the template. Pressure gauges inside the Pressure Test Device are specially prepared according to the order code chosen by the user.

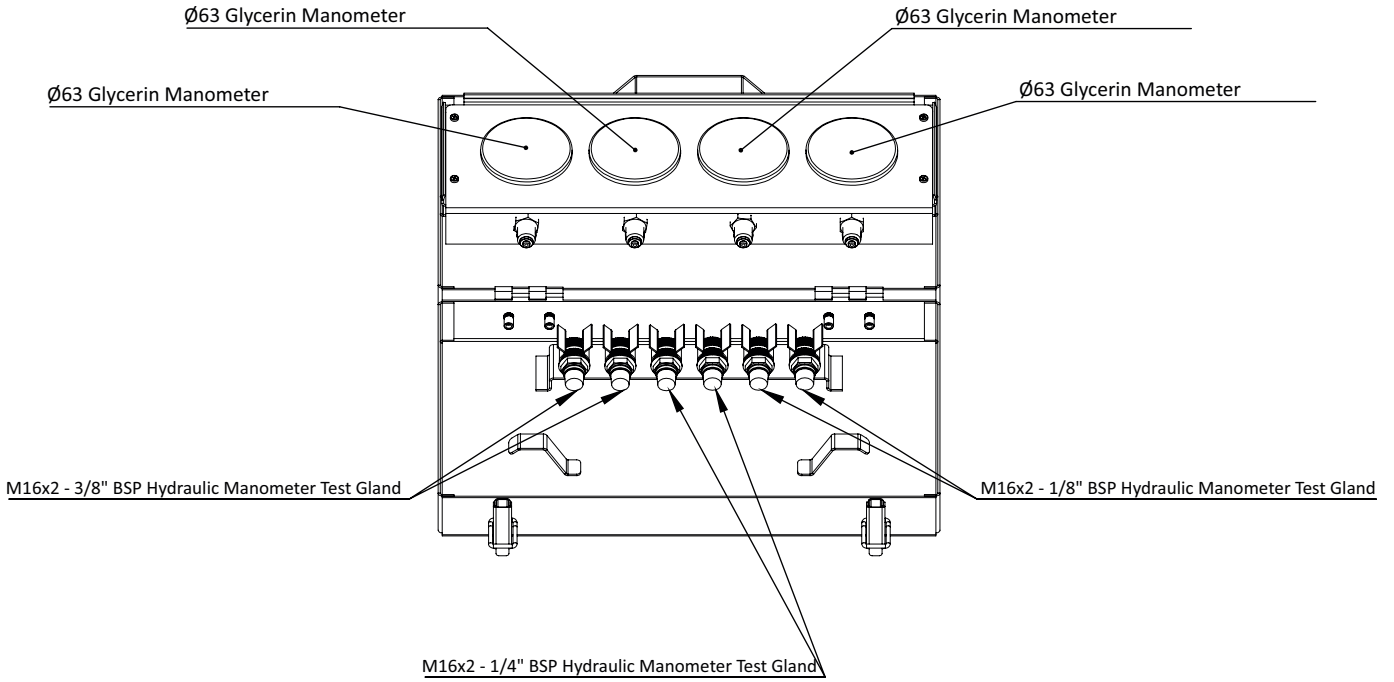
TB1.4 - ... - ... - ... - ...

|                   |                    |
|-------------------|--------------------|
| 0 - 0 ... 6 bar   | 6 - 0 ... 160 bar  |
| 1 - 0 ... 10 bar  | 7 - 0 ... 250 bar  |
| 2 - 0 ... 25 bar  | 8 - 0 ... 315 bar  |
| 3 - 0 ... 40 bar  | 9 - 0 ... 400 bar  |
| 4 - 0 ... 60 bar  | 10 - 0 ... 600 bar |
| 5 - 0 ... 100 bar |                    |

TECHNIC DIMENSIONS



Weight of pressure test device : 5 600 gr



Not:

- 1 piece TB1.4 series pressure test box has 2 pieces 2 meter height pressure test hose.
- Pressure test hose is complied with manometer and manometer test gland.