



DC TECH 40



DIESEL

**DC TECH 40**

FEATURES	12V	24V
Motor Protection:	IP55	IP55
Handle:	Yes	Yes
On/Off Switch:	Yes	Yes
Power Supply [V]:	12 DC	24 DC
Max Current [A]:	18	11
Power [W]:	216	264
Fuse [A]:	30	15
Duty Cycle [min]:	S2 30	S2 30
Nominal Flow Rate [l/min / GPM]:	40 / 10,57	40 / 10,57
Max Pressure [bar / psi]:	1,3 / 19	1,3 / 19
Dry Suction height [m]:	2	2
Inlet [BSP/G]:	3/4"	3/4"
Outlet [BSP/G]:	3/4"	3/4"
Pump body material:	Cast Iron	Cast Iron
Impeller material:	Sintered Steel	Sintered Steel
Vanes material:	POM	POM
Ring material:	HNBR	HNBR
Gasket material:	NBR	NBR
Motor support:	Yes	Yes
Min/max Temperature [°C]:	20/50	20/50
Max fluid viscosity [cSt] (a 40 °C):	2 ÷ 5	2 ÷ 5
Compatible fluids:	diesel	diesel
Not allowed fluids:	gas, alcool, water, gasoline, kerosene	
Loudness at less 1 meter [dB]:	< 80	< 80
Net Weight [Kg]:	4	4
Gross Weight [Kg]:	4,4	4,4

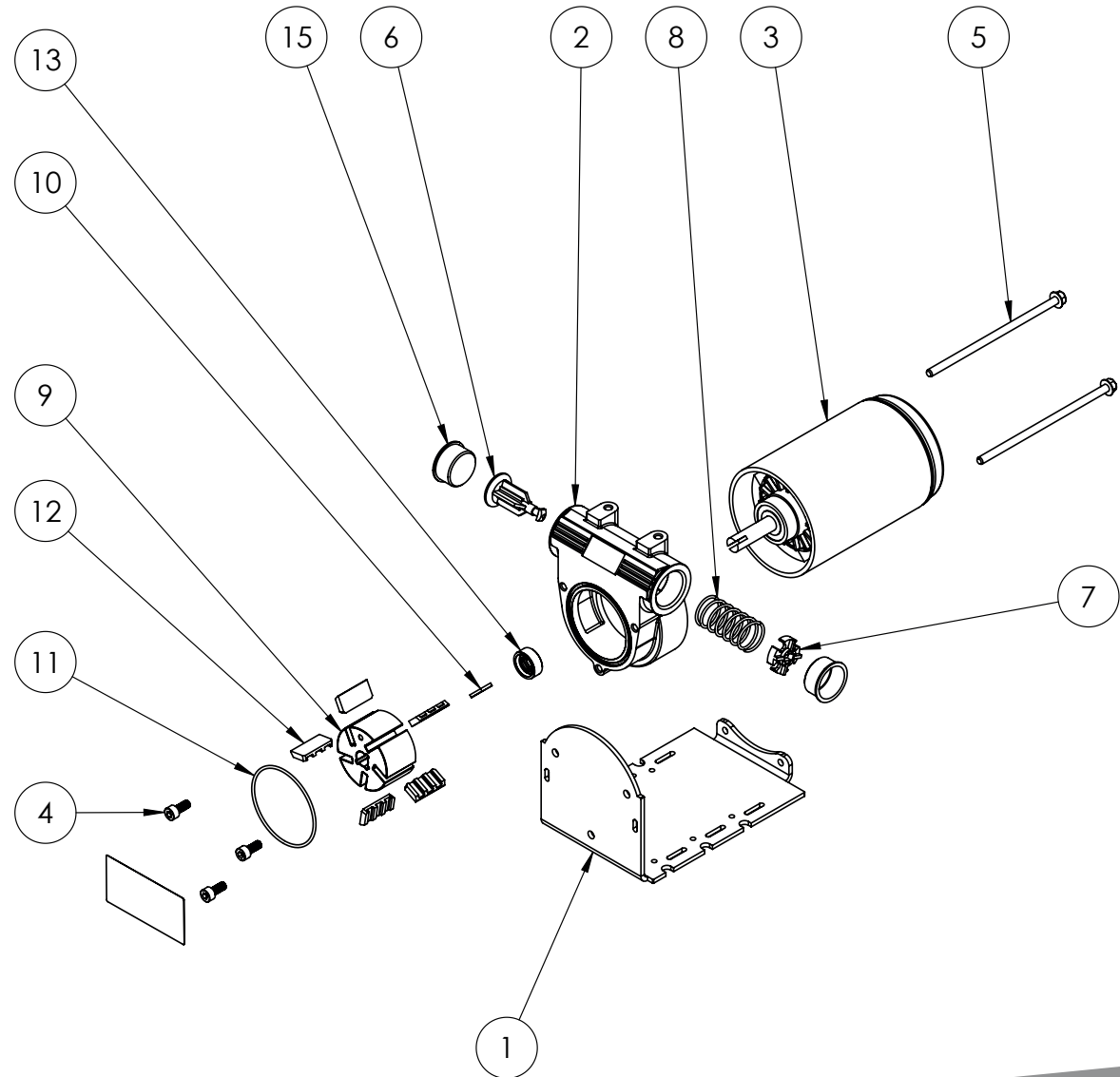
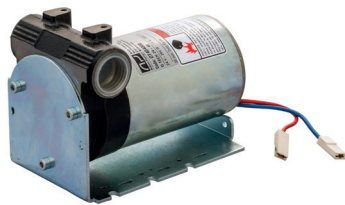


vista esplosa - exploded view

O TECH 40

MADE IN ITALY 

	CODE		DESCRIPTION	QTY
	12 V	24 V		
1	DC006	DC006	metal plate	1
2	CP001	CP001	pump body 40l	1
3	231501700000	231501800000	motor ø77	1
4	13001013	13001013	screw m5x12	3
5	6100481150	6100481150	tie-rod m5 x 115	2
6	71000520	71000520	bypass valve	1
7	PA037	PA037	plate	1
8	71008006	71008006	spring ø21, 4x42	1
9	61000003	61000003	impeller ø45	1
10	71000517	71000517	plastic key	1
11	18001014	18001014	or 2212 nbr	1
12	71000522	71000522	small vane	5
13	12010031000	12010031000	sealing ring ø19	1
15	163013300000	163013300000	protection cap ø25	2



Adam Pumps S.p.A.
 via della Resistenza 46/48
 41011 Campogalliano (MO) - ITALIA
 tel. +39 059 528 128 | fax +39 059 528 437
 info@adampumps.com | www.adampumps.com

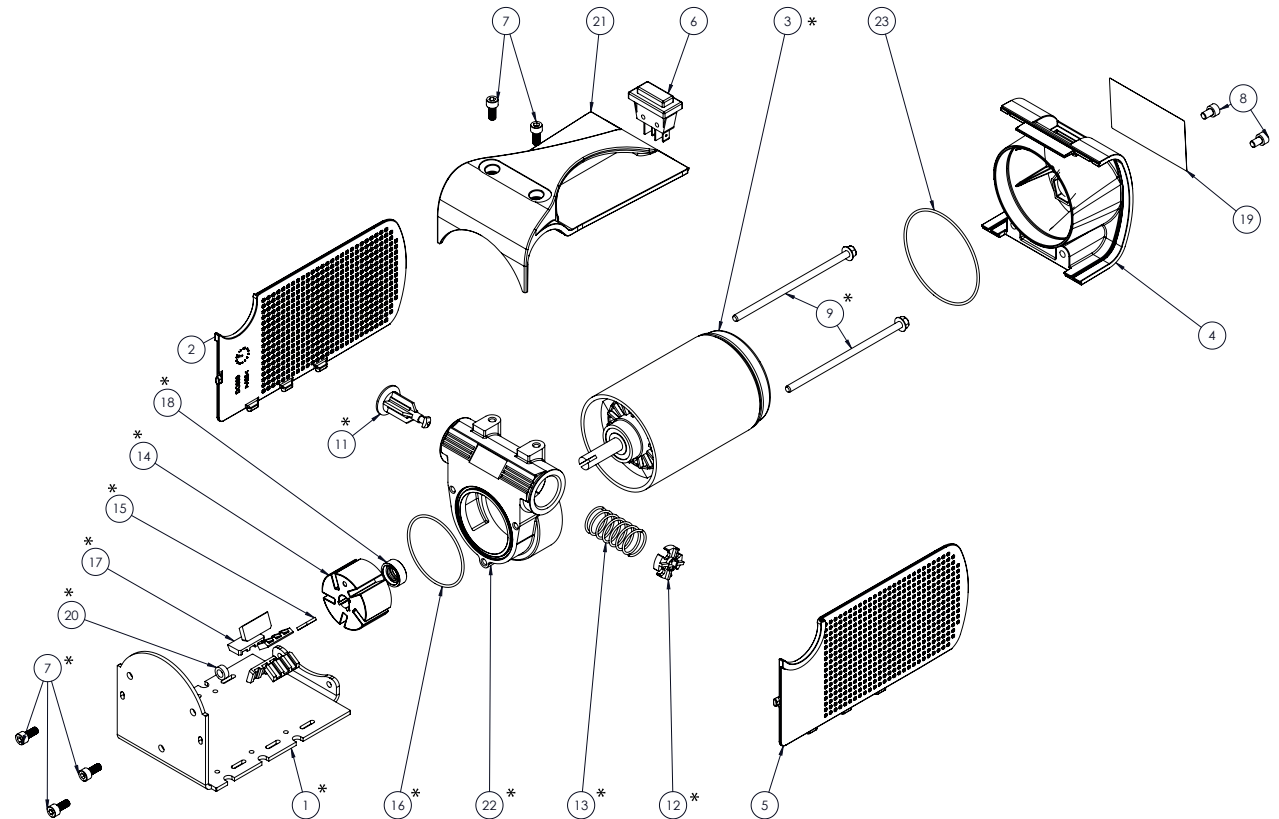


vista esplosa - exploded view

DC TECH 40

MADE IN ITALY 

	CODE	DESCRIPTION	Q.TY
1	DC006	plate	1
2	DC003G	left side	1
3	-	MotorØ77	1
4	DC002N	switch box	1
5	DC004G	right side	1
6	190050070000	Switch11x30 16A	1
7	13001013	screw TCCE M5x12	5
8	VT025	Screw TCCE M5x12	2
9	6100481150	TieM5x115 Flanged	2
11	71000520	By pass valve	1
12	PA037	Plate	1
13	71008006	Spring Ø21.4x42	1
14	61000003	Rotor Ø45	1
15	71000517	Plastic key	1
16	18001014	O-Ring 2212 NBR	1
17	71000522	Small vane	5
18	12010031000	Sealing ring Ø19	1
19	71000653	Label"DANGER"	1
20	DC007	Bush	1
21	DC001N	Handle	1
22	CP001	Body pump	1



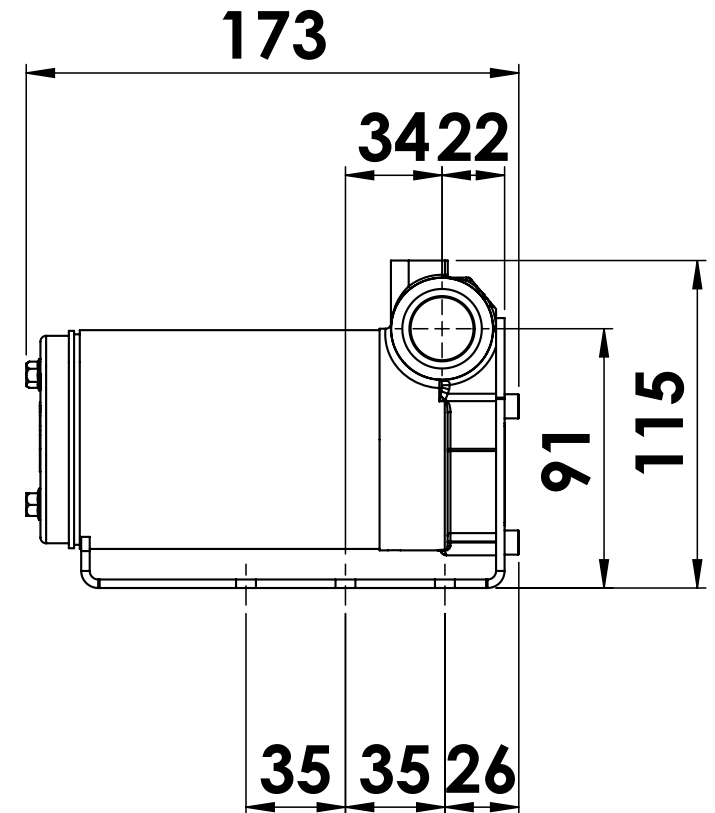
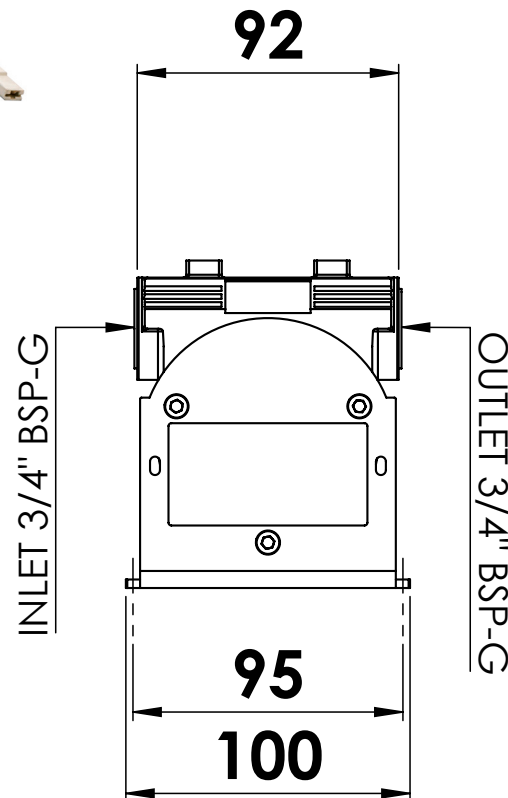
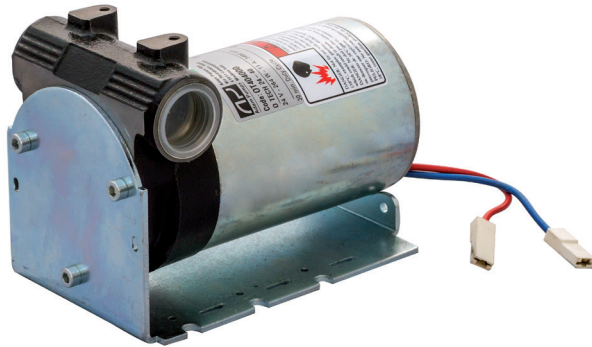
Adam Pumps S.p.A.
 via della Resistenza 46/48
 41011 Campogalliano (MO) - ITALIA
 tel. +39 059 528 128 | fax +39 059 528 437
 info@adampumps.com | www.adampumps.com



ingombri - overall dimensions

O TECH 40 (12/24V)

MADE IN ITALY 



Adam Pumps S.p.A.
via della Resistenza 46/48
41011 Campogalliano (MO) - ITALIA
tel. +39 059 528 128 | fax +39 059 528 437
info@adampumps.com | www.adampumps.com

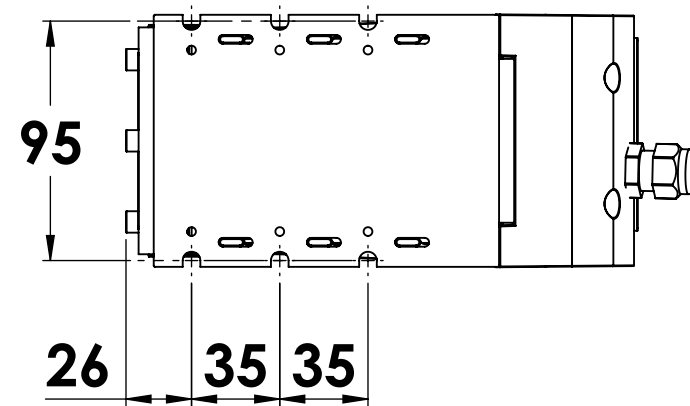
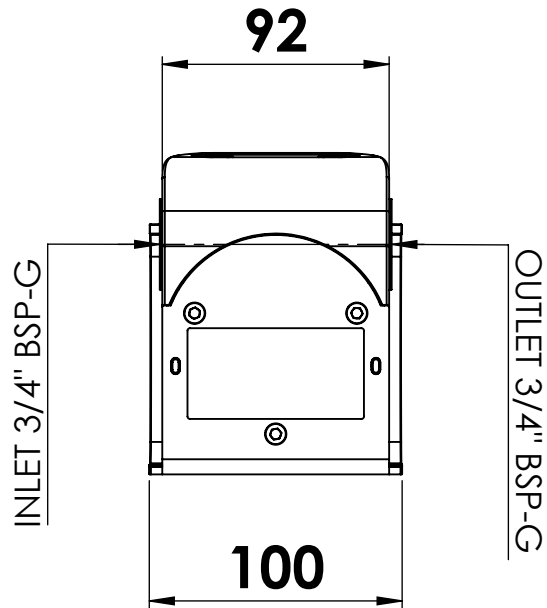
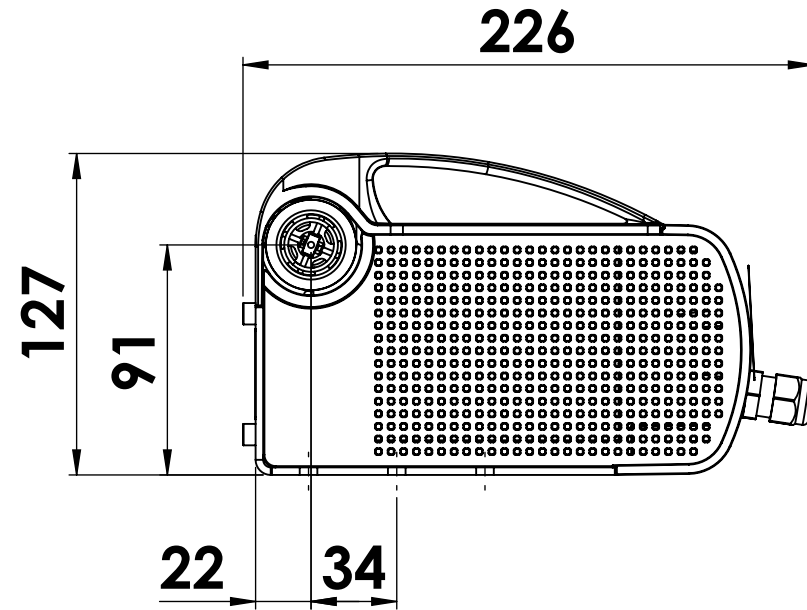
tutte le dimensioni espresse in mm - all dimensions are in mm



ingombri - overall dimensions

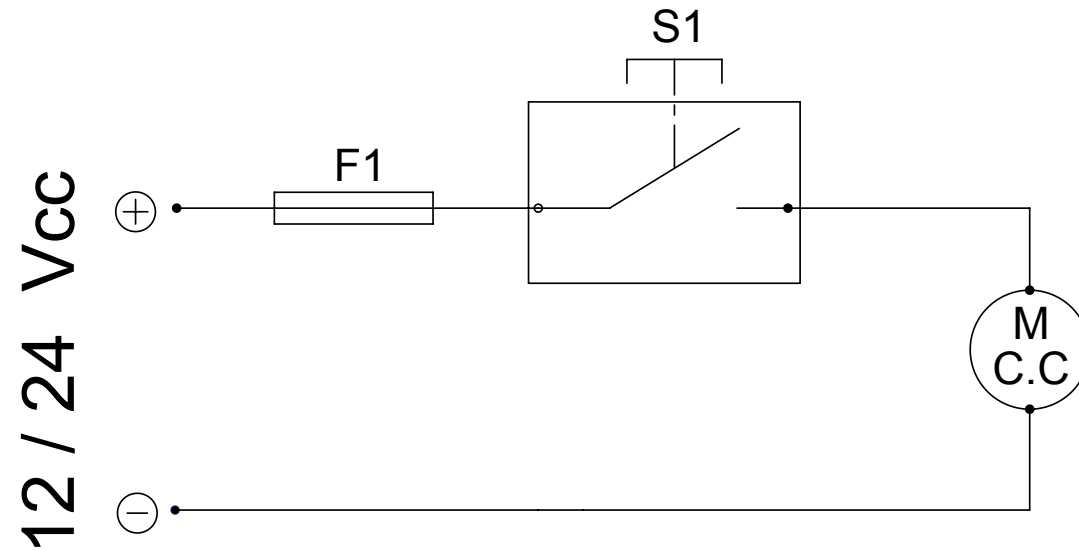
C TECH 40 (12/24V)

MADE IN ITALY 



Adam Pumps S.p.A.
via della Resistenza 46/48
41011 Campogalliano (MO) - ITALIA
tel. +39 059 528 128 | fax +39 059 528 437
info@adampumps.com | www.adampumps.com

tutte le dimensioni espresse in mm - all dimensions are in mm



SCHEMA ELETTRICO

S:1 interruttore ON-OFF
 M: motore
 T: protezione termica
 R: raddrizzatore



WIRING DIAGRAM

S1: ON-OFF switch
 M: Motor
 T: Circuit Breaker
 R: Rectifier (in motor)



SCHALTPLÄNE

S1: ON - OFF Schalter
 M: Motor
 T: Temperaturschutz
 R: Gleichrichter



SCHÉMAS ÉLECTRIQUES

S1: interrupteur ON-OFF
 M: moteur
 T: protection Thermique
 R: Redresseur



ESQUEMAS ELÉCTRICOS

S1: interruptor ON-OFF
 M: motor
 T: protección térmica
 R: rectificador



ESQUEMAS ELÉCTRICOS

S1: Interruptor ON-OFF
 M: Motor
 T: Proteção Térmica
 R: retificador



ЭЛЕКТРИЧЕСКИЕ СХЕМЫ

S1: переключатель ВКЛ-ВЫКЛ
 M: Двигатель
 T: Термореле
 R: выпрямитель