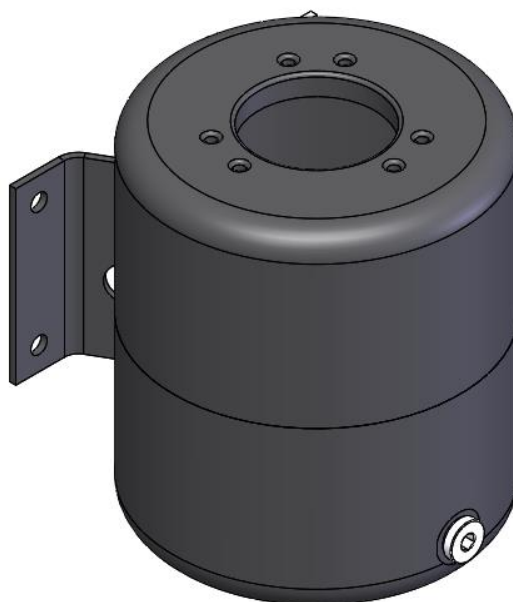
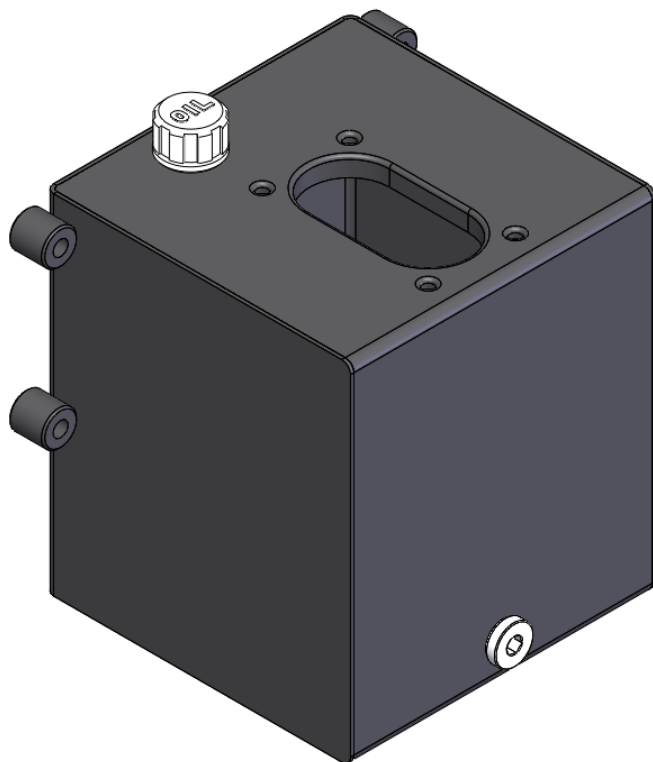


Tanks for manual piston pumps



Additional information

This catalogue shows the product in the most standard configuration. For special requests please contact sales.

WARNING!

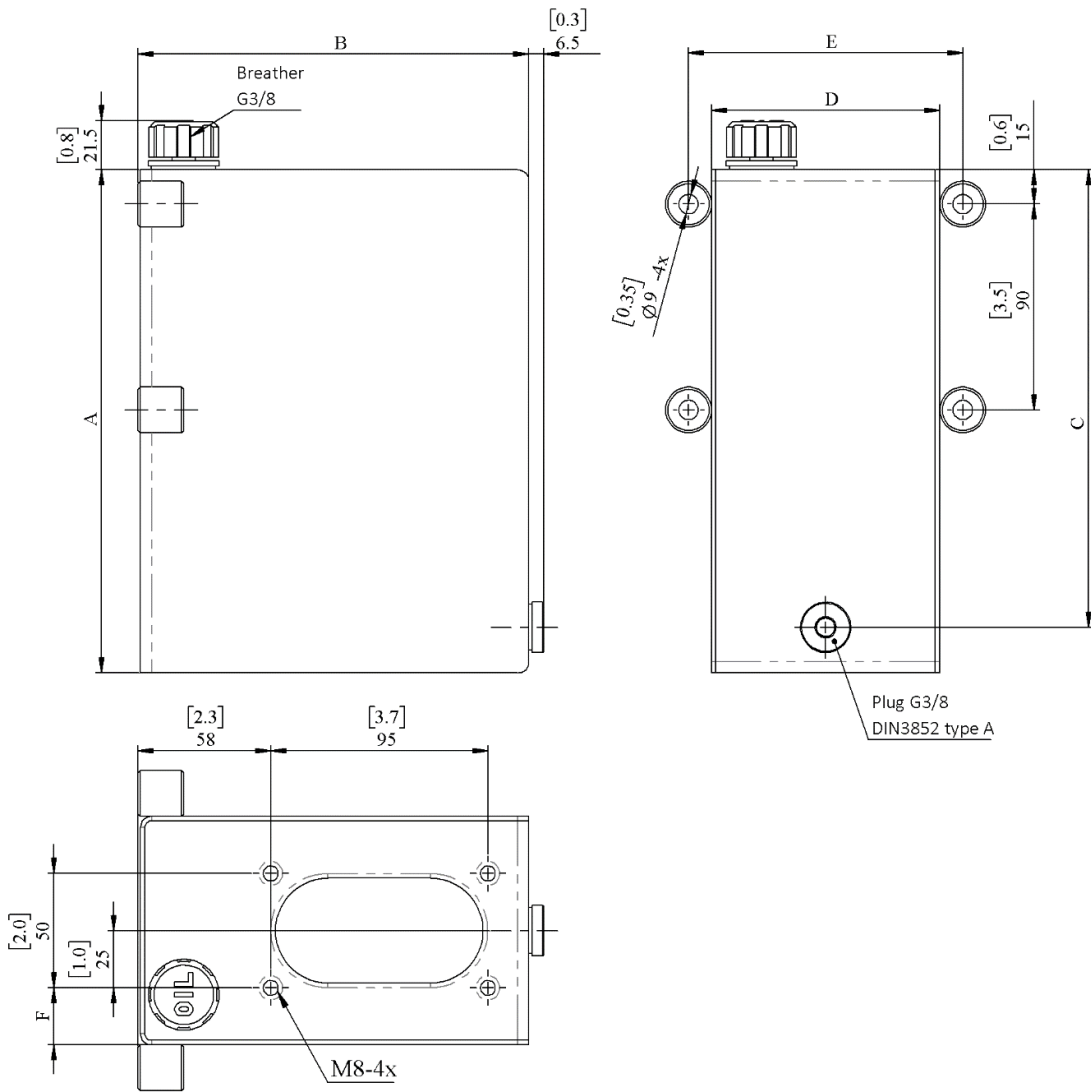
All specifications of this catalogue refer to the standard product at this date. Badestnost, oriented in continuous improvement, reserves the right to discontinue, modify or revise specifications, without notice.

BADESTNOST IS NOT RESPONSIBLE FOR ANY DAMAGE CAUSED BY AN INCORRECT USE OF THE PRODUCT

First edition 03-2021

Dimensional data:

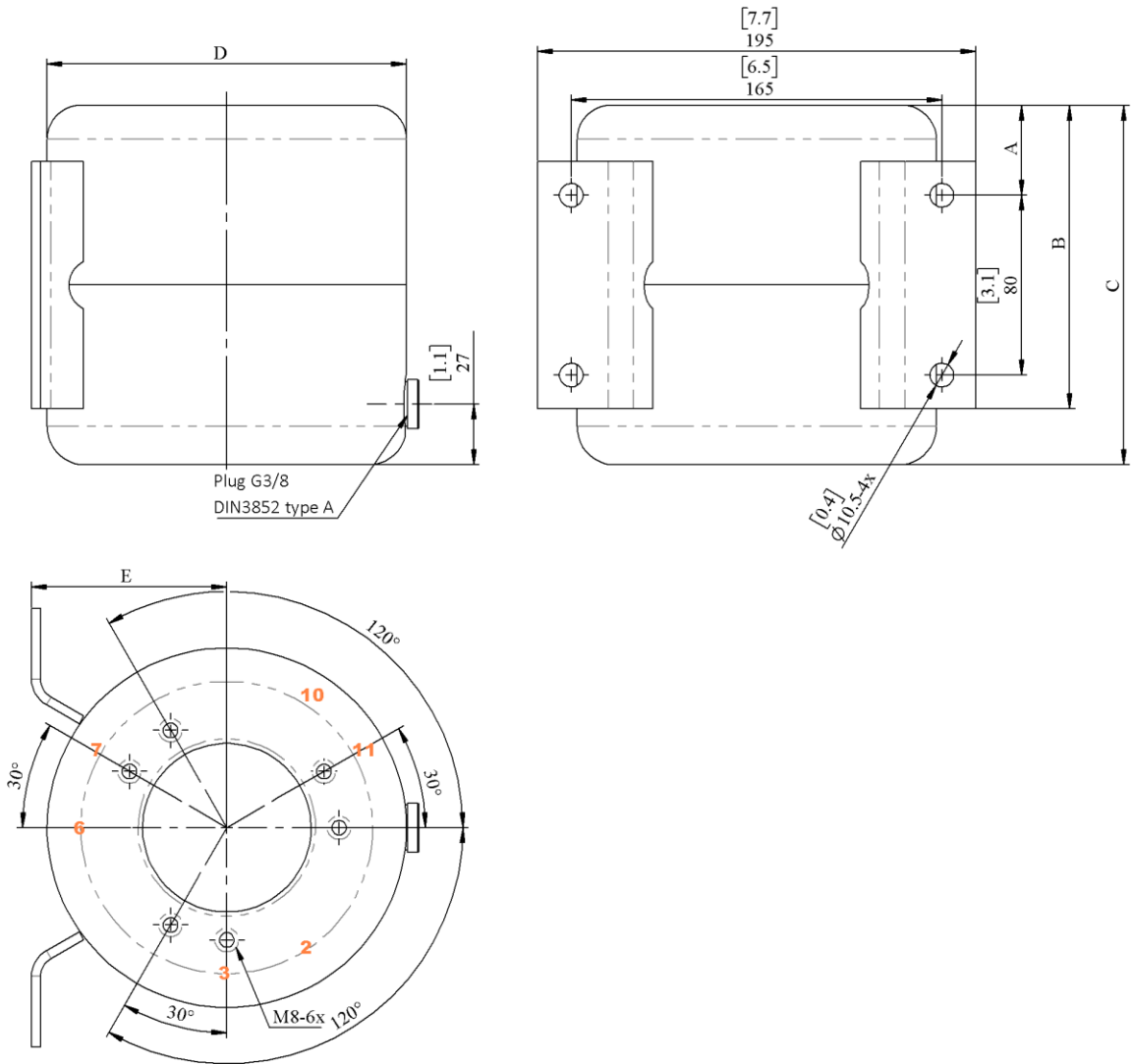
Each tank is painted in RAL9005 and includes the corresponding suction tube and filter



Type	A		B		C		D		E		F		mass	
	mm	in	mm	in	mm	in	mm	in	mm	in	mm	in	kg	lbs
RP1	120	4.7	171	6.7	100	3.9	100	3.9	120	4.7	25	1.0	1.7	3.7
RP2	170	4.7	171	6.7	150	3.9	100	3.9	120	4.7	25	1.0	2.2	4.9
RP3	220	8.7	171	6.7	200	8	100	4	120	5	25	1	2.6	5.7
RP5	200	7.9	176	6.9	180	7	175	7	195	8	62.5	2	3.3	7.3
RP7	290	11.4	176	6.9	270	11	175	7	195	8	62.5	2	4.3	9.5
RP10	380	15.0	176	6.9	360	14	175	7	195	8	62.5	2	5.3	11.7

Dimensional data:

Each tank is painted in RAL9005 and includes the corresponding suction tube and filter



Type	A		B		C		D		E		mass	
	mm	in	mm	in	mm	in	mm	in	mm	in	kg	lbs
R2G	30	1.2	125	4.9	130	5.1	160	6.3	87	3.4	1.9	4.2
R3G	40	1.2	135	4.9	160	5.1	160	6.3	87	3.4	2.1	4.6
R5G	53	2	148	5.8	214	8.4	185	7.3	101	4.0	3.0	6.6
R7G	53	2	148	5.8	240	9.4	205	8.1	113	4.4	3.7	8.2

Dimensional data:

Each tank is painted in RAL9005 and includes the corresponding suction tube and filter

