



SINCE 1997

Emergency cut-off valve Installation and Operation Instruction



Contact

WENZHOU LIDUN MACHINERY EQUIPMENT CO., LTD

Add.: No.10 Weiyi Road, Lantian Industrial Zone, Wenzhou, China.

Tel: 0577-86855786

Phone: +86 15058902017

Postal code: 325000

E-mail: tankerparts_lin@hotmail.com

WENZHOU LIDUN MACHINERY EQUIPMENT CO., LTD

Product Introduction

Emergency cut-off valve, commonly known as the submarine valve installed at the bottom of the tank car, the valve seal is placed in the tank, the valve body is provided with a cutting slot, when the strong collision, the valve body will be broken at the flange, so that the tank and the car under the pipeline separation, become an independent sealed tank, to prevent liquid leakage, greatly improve the safety of transportation, It meets the relevant requirements of QC/T 932-2012 standard and is a key component for bottom loading and unloading of tank cars. Suitable for the loading of light fuel oil tanker, can not be loaded with strong corrosive oil liquid and chemical liquid.

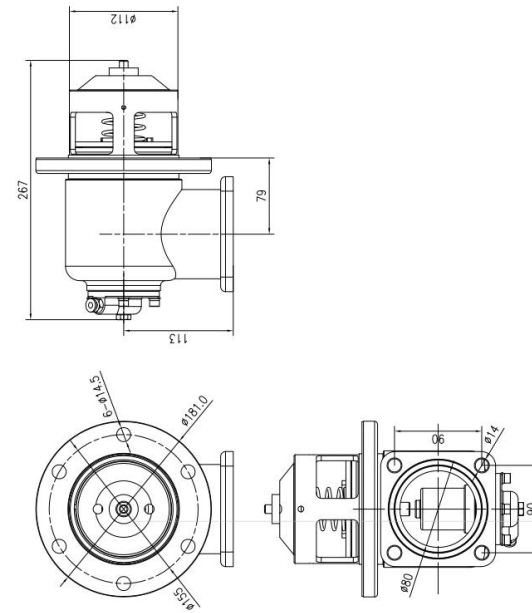
Product Feature

- ◆Material: Mainly made of light aluminum alloy material, the whole molding by low pressure casting, light weight and strong, durable. The surface is oxidized and has good corrosion resistance and wear resistance.
- ◆High flow: reasonable structural design to ensure large flow through.
- ◆Emergency cutting: When the external force is greater than 1000J, the valve body breaks at the cutting slot, and the tank remains sealed to effectively prevent oil leakage
- ◆Over temperature protection: During the loading and unloading process, when the external temperature exceeds $75^{\circ}\text{C}+5^{\circ}\text{C}$, the pressure relief valve will be automatically closed under the action of fusible plug, which greatly improves the safety of the oil handling process.
- ◆According to EN13083 standard, flange meets TTMA standard

Dimensions and structure:

The valve diameter is DN80(3"), using pneumatic control, working pressure 0.6MPa, and manual submarine valve for users to choose. The maximum filling rate is greater than 2500 L/min at 0.5MPa working pressure. When filling oil, the intake pressure is 0.4~0.7MPa.

Install drawing:



Installation and maintenance

1. Remove the filter screen: When shipping the oil products (such as crude oil), the filter screen on the valve can be removed. To avoid affecting traffic.
2. Cylinder maintenance: If oil seepage occurs at the pneumatic interface, replace the seals in the piston cylinder.
3. Maintenance: Check whether the intake pipe is damaged from time to time to avoid normal opening of the valve due to gas pipe problems.
4. emergency treatment: if it is impossible to open the valve through the intake in an accident, the emergency bolt on the low-end piston cylinder can be unscrewed, find a hexagon bolt of the same specification length of 10cm into the screw port, and then slowly screw the screw into the valve until it is opened. (Note: Do not loosen or remove any bolt other than the non-emergency bolt at will)

Attention

1. The residue in the tank must be cleaned before the emergency shut-off valve is installed and used, so as not to damage the valve plate seals and cause leakage.
2. Before steaming and washing the tank truck, the fusible plug on the shut-off valve must be removed first, and the fusible plug must be installed back after steaming and washing.